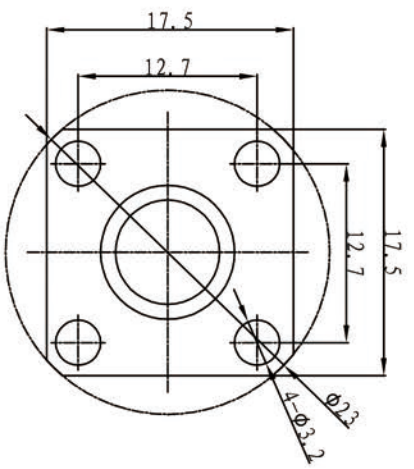
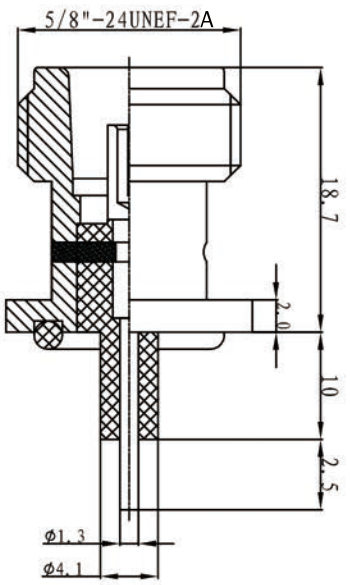


REVISION	
REV	DATE



- Electrical Characteristics**
- Impedance: 50Ω
  - Frequency: 0-11GHz
  - Dielectric withstanding voltage: 1500V
  - Center contact resistance: 1 MΩ
  - Outer contact resistance: 0.2MΩ
  - Insulation resistance: 5000 MΩ
  - Working voltage: 750V (rms)
  - VSWR: 1.30 (MAX)

- Material&Plating**
- Body: Brass, Nickle Plating
  - Center contact: Phosphor bronze, gold plating
  - Insulators: PTFE

- Environmental Characteristics**
- Temperature range: -65°C ~ +165°C
- Mechanical Characteristics**
- Durability: 500 cycles

CUSTOMER		No.		Description		Qty.	Material	Finish	Notes
CUSTOMER CODE		DATE: 17-Aug-10		Michael Tang					
APPROVED		CHECKED		Teresa					
DRAWN		Jason							
SCALE 3:1		UNIT mm		WEIGHT		TITLE			
A		A		A		T-rely Electronics Co., Ltd.			
DWG NO.: TRL101022E		SHEET: 1:1		N-KFD102					

