

This document contains proprietary information and such information may not be disclosed to others for any purposes, not used for sales/marketing/procurement purposes without written permission

REV	DESCRIPTION OF REVISION	ECN NO.	BY	DATE	APPROVED
A	Initial Release	—	T.Haiyun	21/05/08	21/05/08

1 Electrical

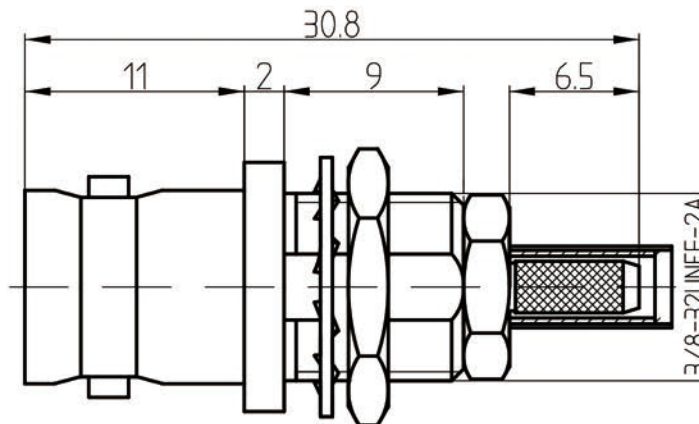
- 1.1 Impedence 50 Ω
- 1.2 Frequency DC~3GHz
- 1.3 Dielectric withstanding voltage 1500V(volts RMS)
- 1.4 Center contact resistance ≤ 15MΩ
- 1.5 Outer contact resistance ≤ 0.2MΩ
- 1.6 Insulation resistance: ≥5000MΩ

2 Environmental&Mechanical

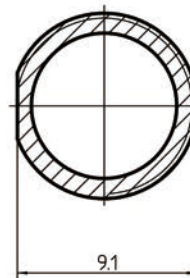
- 2.1 Temperature range -40℃~+85℃
- 2.2 RoHS Compliant
- 2.3 Durability >500 cycles

3 Materials&plating

- 3.1 Body: Brass; Nickel plated
- 3.2 Insulator: Teflon
- 3.3 Contact Pin: Bronze Gold plated
- 3.4 Nut: Brass, Nickel plated
- 3.5 Gasket: Silicon Rubber (red color)
- 3.6 Washer: Brass, Nickel plated





Mounting Hole



Notes:

- 1. ALL SPECIFICATIONS ARE SUBJECT TO CHANGE NOTICE AT ANY TIME
- 2. CUSTOMER OUTLINE DRAWING FOR REFERENCE ONLY

DRAWN : T.Haiyun 21/05/08	TITLE : RF Coaxial Connector BNC Female B/H Conn. for RG316 Cable		www.rf-connector-china.com			
ENGINEER : C.Tao 21/05/08						
APPROVED : W.Qiang 21/05/08						
TOLERANCES UNLESS OTHERWISE SPECIFIED X ±0.50 X ±0.20 XX ±0.10 ANGLES ±1°		 DIMENSION IN MILLIMETERS (mm)	SIZE: A4	SCALE: N/A	SHEET: 1/1	REV: A
PART NO : BNC-KY3YA						