

This document contains proprietary information and such information may not be disclosed to others for any purposes, not used for sales/marketing/procurement purposes without written permission

REV	DESCRIPTION OF REVISION	ECN NO.	BY	DATE	APPROVED
A	Initial Release	—	T. Shihua	16/5/14	16/5/14

1 Technical Data:

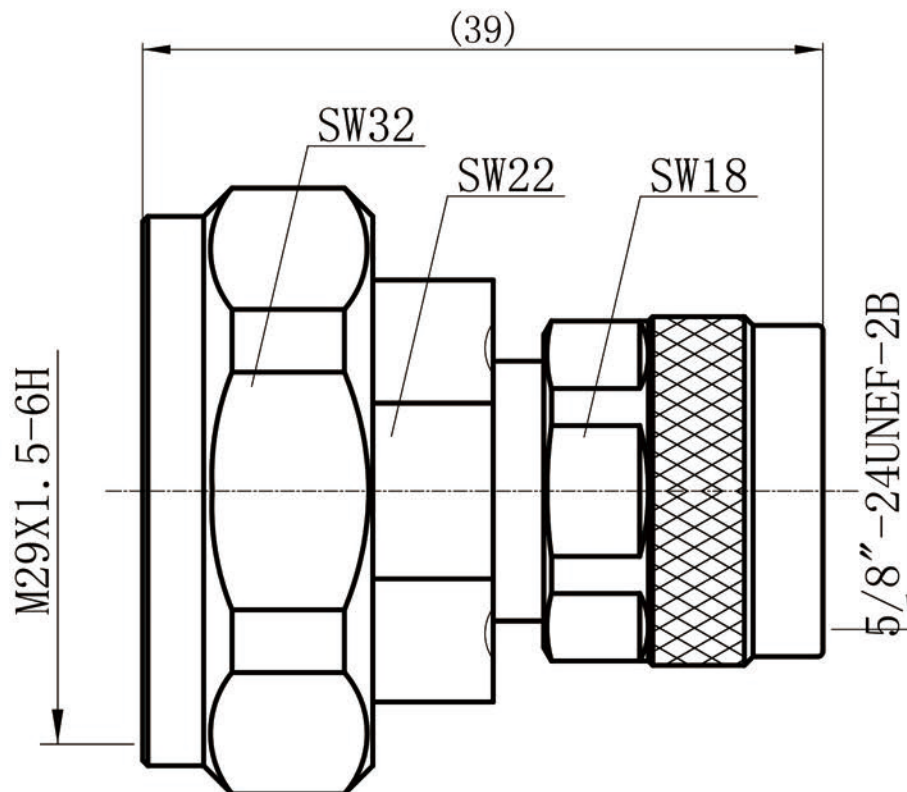
- 1.1 Impedance: 50 Ω
- 1.2 Frequency: DC ~3GHz
- 1.3 VSWR: <1.2
- 1.4 Dielectric withstanding voltage: >1500V rms at sea level
- 1.5 Insulation resistance: >10000MΩ
- 1.6 Center contact resistance: <0.4 mΩ
- 1.7 Outer contact resistance: <1.5mΩ

2 Environmental&Mechanical

- 2.1 Temperature range: -40℃~70℃
- 2.2 RoHs Compliant
- 2.3 Durability: >500 cycles



3 Materials&plating

- 3.1 Body: Brass, Nickel plated
- 3.2 Insulator: Teflon
- 3.3 Contact Pin: Bronze, gold plated
- 3.4 Coupling Nut: Brass, Nickel plated



Notes:

- 1. ALL SPECIFICATIONS ARE SUBJECT TO CHANGE NOTICE AT ANY TIME
- 2. CUSTOMER OUTLINE DRAWING FOR REFERENCE ONLY

DRAWN : T. Shihua 16/5/14 ENGINEER: C. Tao 16/5/14 APPROVED : W. Qiang 16/5/14	<b>TITLE:</b> RF Adaptor  L29 (7/16.) Male to N Male Adapter  PART NO: L29/N-JJ	 <a href="http://www.rf-connector-china.com">www.rf-connector-china.com</a>   DIMENSION IN MILLIMETERS (mm)
<b>TOLERANCES UNLESS OTHERWISE SPECIFIED</b> X ±0.50 X ±0.20 XX ±0.10 ANGLES ±1°	SIZE: A4 SCALE: N/A SHEET: 1/1 REV: A	