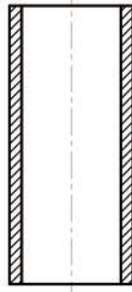
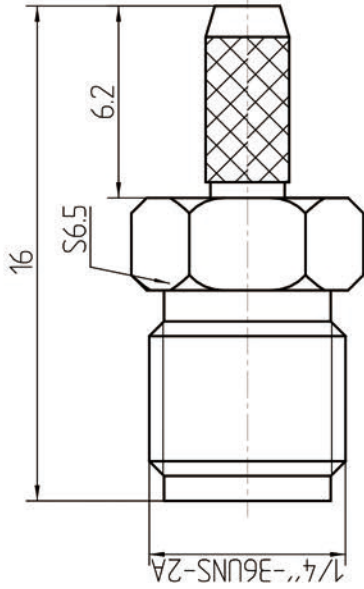


This document contains proprietary information and such information may not be disclosed to others for any purposes, not used for sales/marketing/procurement purposes without written permission

- 1 Electrical
  - 1.1 Impedance 50 Ω
  - 1.2 Frequency 0~6GHz
  - 1.2 Dielectric withstanding voltage 1000V (volts RMS)
  - 1.3 Center contact resistance ≤ 3MΩ
  - 1.4 Outer contact resistance ≤ 2MΩ
  - 1.5 Insulation resistance: ≥ 5000MΩ
  - 1.6 VSWR 1.25:1
- 2 Environmental & Mechanical
  - 2.1 Temperature range -55℃~125℃
  - 2.2 RoHS Compliant YES
  - 2.3 Durability >500 cycles

- 3 Materials & plating
  - 3.1 Body: Brass; Gold, plated
  - 3.2 Insulator: Teflon
  - 3.3 Contact Pin: Beryllium-copper; Gold, plated



REV	DESCRIPTION OF REVISION	ECN NO.	BY	DATE	APPROVED
A	Initial Release		T. Haiyun	5/11/14	5/11/14

DRAWN: T. Haiyun 5/11/14	ENGINEER: C. Tao 5/11/14	APPROVED: W. Qiang 5/11/14	TOLEANCES UNLESS OTHERWISE SPECIFIED
X ±0.50	X ±0.20	XX ±0.10	ANGLES ±1°

TITLE: RF Coaxial Connector		SMA Female Flange Connector	
SMA Female Flange Connector		RG316 Cable	
PART NO: SMA-K3Y-HY	SCALE: N/A	SHEET: 1/1	REV: A

**QIARL** www.rf-connector-china.com

DIMENSION IN MILLIMETERS (mm)

**Notes:**

- 1. ALL SPECIFICATIONS ARE SUBJECT TO CHANGE NOTICE AT ANY TIME
- 2. CUSTOMER OUTLINE DRAWING FOR REFERENCE ONLY