

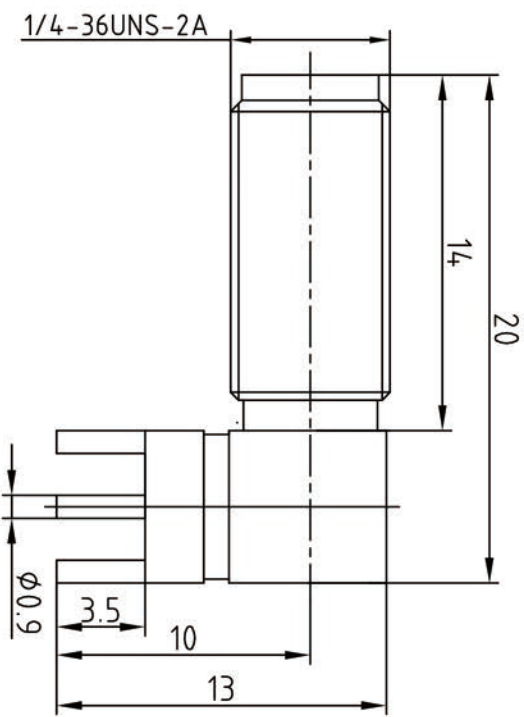
This document contains proprietary information and such information may not be disclosed to others for any purposes, not used for sales/marketing/procurement purposes without written permission

REV	DESCRIPTION OF REVISION	ECN NO.	BY	DATE	APPROVED
A	Initial Release		T.Shihua	12/7/13	12/7/13

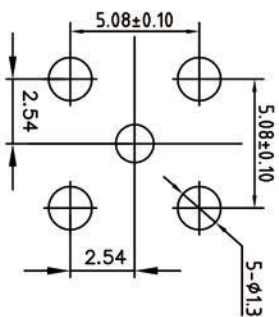
- 1 Electrical**
- 1.1 Impedance: 50Ω
 - 1.2 Dielectric withstanding voltage: 1000V(volts RMS)
 - 1.3 Center contact resistance: ≤ 3MΩ
 - 1.4 Outer contact resistance: ≤ 2MΩ
 - 1.5 Insulation resistance: ≥ 5000MΩ

- 2 Environmental&Mechanical**
- 2.1 Temperature range: -55℃~155℃
 - 2.2 RoHS Compliant
 - 2.3 Durability: >500 cycles

- 3 Materials&plating**
- 3.1 Body: Brass, Gold plated
 - 3.2 Insulator: Teflon
 - 3.3 Contact Pin: Brass, gold plated
 - 3.4 Washer: Brass, Gold plated
 - 3.5 Hex Nut: Brass, Gold plated



Mounting Hole



Notes:
 1. ALL SPECIFICATIONS ARE SUBJECT TO CHANGE NOTICE AT ANY TIME
 2. CUSTOMER OUTLINE DRAWING FOR REFERENCE ONLY

DRAWN: T.Shihua 12/07/13 ENGINEER: C.Too 12/07/13 APPROVED: W.Qiang 12/07/13 TOLERANCES UNLESS OTHERWISE SPECIFIED X ±0.50 XX ±0.20 ANGLES 30°	TITLE: SMA-KYWH07 SMA Female bulkhead Right Angle Conn. For PCB	www.rf-connector-china.com
PART NO: TRL-SMAF-5128	SIZE: A4	SCALE: 1:1
		SHEET: 1/1
		REV: A