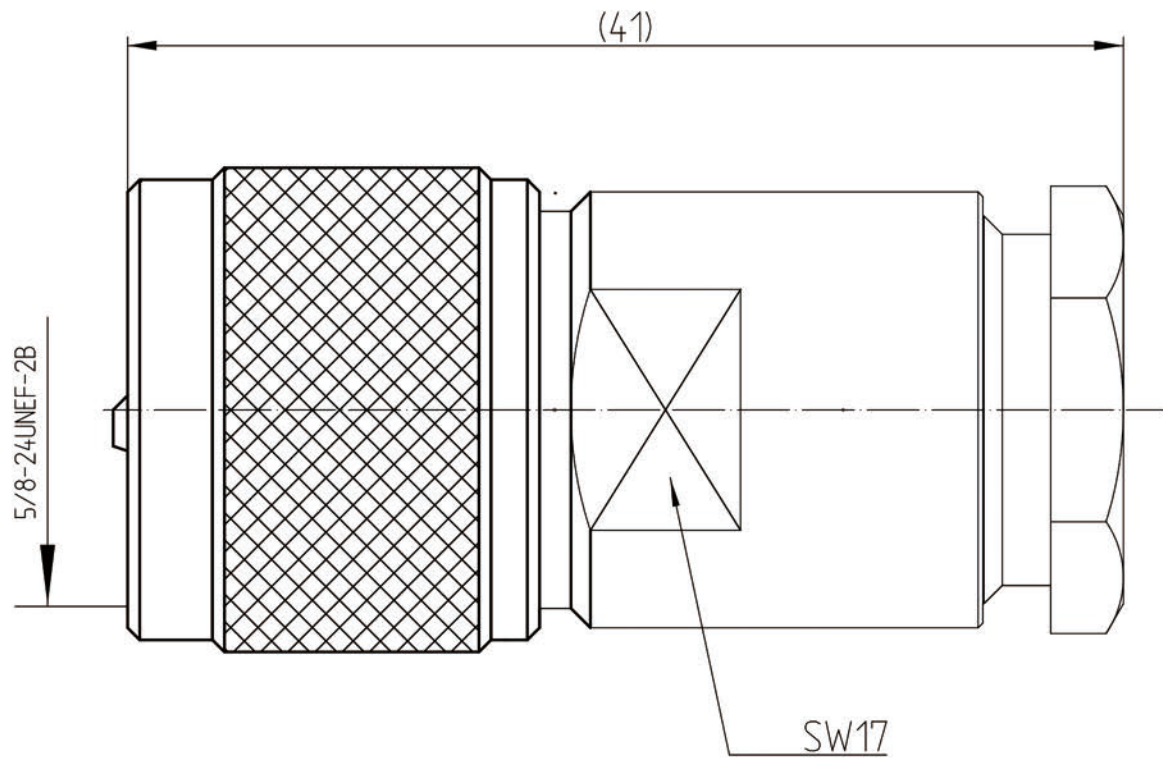


This document contains proprietary information and such information may not be disclosed to others for any purposes, not used for sales/marketing/procurement purposes without written permission

| REV | DESCRIPTION OF REVISION | ECN NO. | BY | DATE | APPROVED |
|-----|-------------------------|---------|-----------|----------|----------|
| A | Initial Release | — | T. Shihua | 13/05/15 | 13/05/15 |


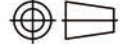


Materials&Finish

- 1 Body: Brass, Nickel plated
- 2 Insulator: Teflon
- 3 Contact Pin: Brass, Gold plated

Notes:

- 1. ALL SPECIFICATIONS ARE SUBJECT TO CHANGE NOTICE AT ANY TIME
- 2. CUSTOMER OUTLINE DRAWING FOR REFERENCE ONLY

| | | |
|--|--|--|
| DRAWN : T. Shihua 13/05/15 ENGINEER: C. Tao 13/05/15 APPROVED : W. Qiang 13/05/15 TOLERANCES UNLESS OTHERWISE SPECIFIED X ±0.50 X ±0.20 XX ±0.10 ANGLES ±1° | TITLE: RF Coaxial Connector UHF male Conn. For LMR400 Cable PART NO: UHF-J400A |  www.rf-connector-china.com  DIMENSION IN MILLIMETERS (mm) SIZE: A4 SCALE: N/A SHEET: 1/1 REV: A |
|--|--|--|