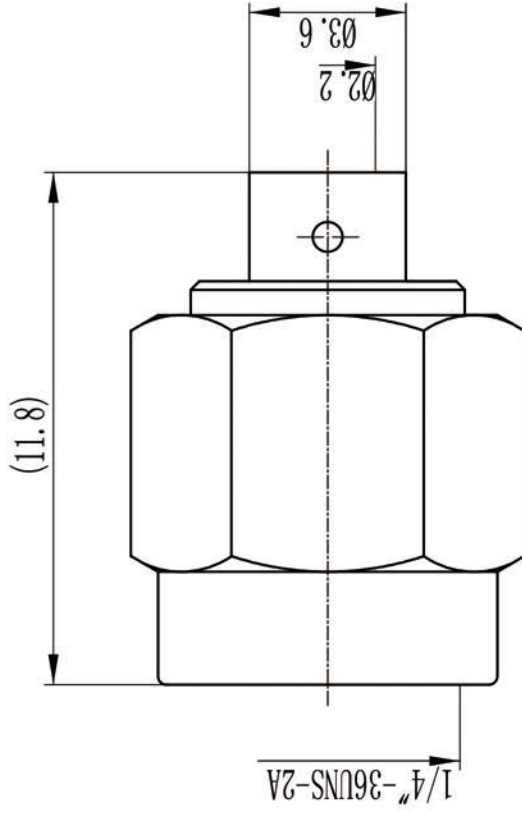


This document contains proprietary information and such information may not be disclosed to others for any purposes, not used for sales/marketing/procurement purposes without written permission

- 1 Electrical
 - 1.1 Impedence 50 Ω
 - 1.2 Frequency DC~18GHz
 - 1.2 Dielectric withstanding voltage 1000V(volts RMS)
 - 1.3 Center contact resistance $\leq 3M\Omega$
 - 1.4 Outer contact resistance $\leq 2M\Omega$
 - 1.5 Insulation resistance: $\geq 5000M\Omega$
 - 1.6 VSWR 1.25:1

- 2 Environmental&Mechanical
 - 2.1 Temperature range -45℃~85℃
 - 2.2 RoHs Compliant
 - 2.3 Durability >500 cycles

- 3 Materials&plating
 - 3.1 Body: Brass, Gold plated
 - 3.2 Insulator: Teflon
 - 3.3 Contact Pin: Brass Gold plated



REV	DESCRIPTION OF REVISION	ECN NO.	BY	DATE	APPROVED
A	Initial Release		T. Shihua	12/7/13	12/7/13

DRAWN: T. Shihua 12/07/13	TITLE: RF Coaxial Connector	
ENGINEER: C. Tao 12/07/13	www.rf-connector-china.com	
APPROVED: W. Qiang 12/07/13	SMA Male Conn. For .086 Cable	
TOLERANCES UNLESS OTHERWISE SPECIFIED	DIMENSION IN MILLIMETERS (mm)	
X ±0.50	SIZE: A4	SCALE: N/A
X ±0.20	SHEET: 1/1	REV: A
XX ±0.10	PART NO: ISMA-JB2	
ANGLES ±1°		

- Notes:
1. ALL SPECIFICATIONS ARE SUBJECT TO CHANGE NOTICE AT ANY TIME
 2. CUSTOMER OUTLINE DRAWING FOR REFERENCE ONLY