

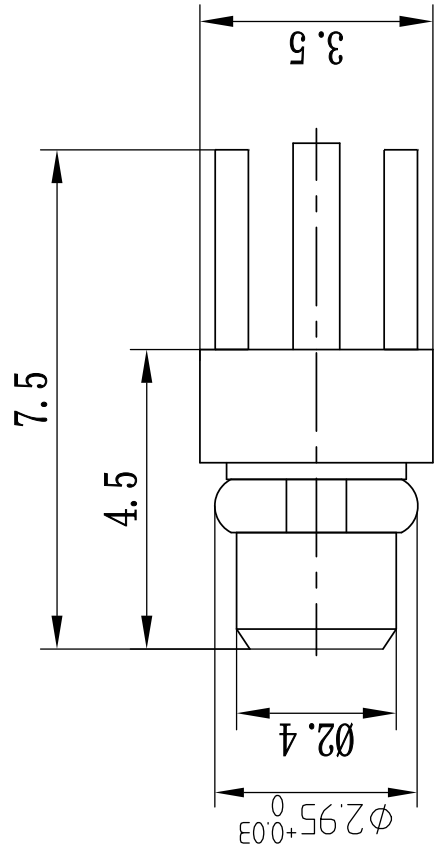
1

2

3

4

A



7.5

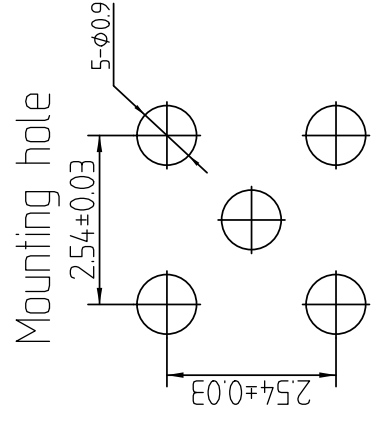
4.5

$\phi 2.95^{+0.03}$

$\phi 2.4$

3.5

B



Mounting hole

2.54 ± 0.03

$5-\phi 0.9$

C

Electrical characteristics

1. Impedance: 50Ω
2. Frequency: 0-6GHz
3. VSWR ≤ 1.25
3. Insulation resistance: $\geq 10000M\Omega$
4. Dielectric withstanding voltage: 500V
5. Contact resistance

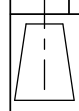
Center contact

$\leq 10M\Omega$

Outer contact

Material & Finish

- Inner Contact: brass, gold plated
- Outer Contact: brass, gold plated
- Insulators: PTFE



Scale

1:1

Designed Tomson Tang 11-Jul-09

Checked Jason Cai 11-Jul-09

Approved Maggi Wang 11-Jul-09

UNLESS OTHERWISE SPECIFIED
 DIMENSIONS ARE mm; TOLERANCES ARE:
 FRACTIONS DECIMALS ANGLES
 .X# .15 #1°
 .XX# .05
 .XXX#

MMCX-JHD

RF Coaxial Connector

Xi'an T-RELY ELECTRONICS CO., LTD.