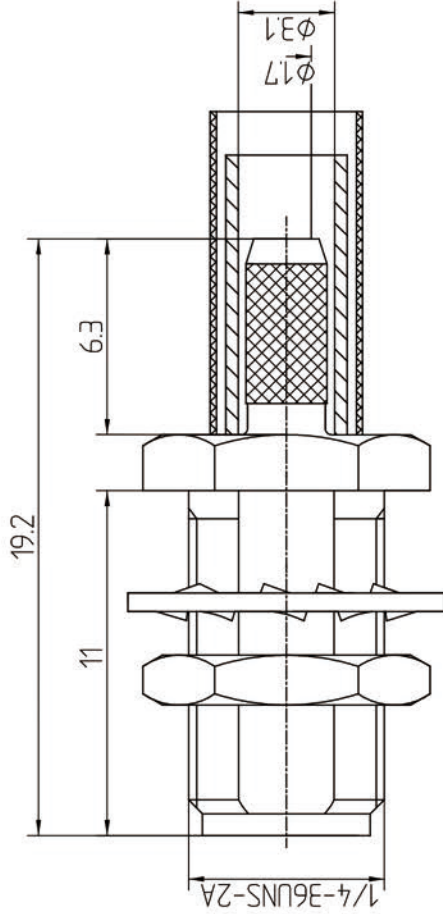


This document contains proprietary information and such information may not be disclosed to others for any purposes, not used for sales/marketing/procurement purposes without written permission

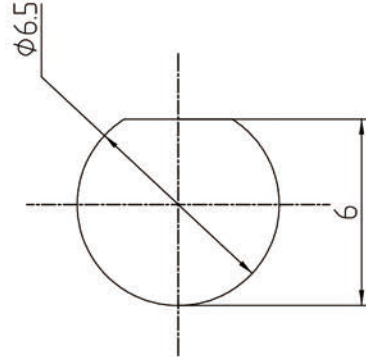
- 1 Electrical**
- 1.1 Impedence **50 Ω**
 - 1.2 Frequency **0~6GHz**
 - 1.3 Dielectric withstanding voltage **1000V(volts RMS)**
 - 1.4 Center contact resistance **≤ 3MΩ**
 - 1.5 Outer contact resistance **≤ 2MΩ**
 - 1.6 Insulation resistance: **≥5000MΩ**

- 2 Environmental&Mechanical**
- 2.1 Temperature range **-45℃~85℃**
 - 2.2 RoHs Compliant
 - 2.3 Durability **>500 cycles**

- 3 Materials&Finish**
- 3.1 Body: **Brass, Gold Plated**
 - 3.2 Insulator: **Teflon**
 - 3.3 Contact Pin: **Bronze, Gold plated**
 - 3.4 Washer: **Brass, Gold plated**
 - 3.5 Hex Nut: **Brass, Gold plated**



Mounting Hole



Notes:

- 1. ALL SPECIFICATIONS ARE SUBJECT TO CHANGE NOTICE AT ANY TIME
- 2. CUSTOMER OUTLINE DRAWING FOR REFERENCE ONLY

REV	DESCRIPTION OF REVISION	ECN NO.	BY	DATE	APPROVED
A	Initial Release		T. Shihua	14/9/13	14/9/13

DRAWN: T. Shihua 14/9/13		TITLE: RF Coaxial Connector		www.rf-connector-china.com	
ENGINEER: C. Tao 14/9/13		SMA Female bulkhead Conn. For RG316 cable		DIMENSION IN MILLIMETERS (mm)	
APPROVED: W. Qiang 14/9/13		PART NO: SMA-KY3A		SCALE: N/A	
TOLERANCES UNLESS OTHERWISE SPECIFIED		SIZE: A4		SHEET: 1/1	
X	+0.05	REV: A		REV: A	
X	+0.20				
XX	+0.10				
	ANGLES ±1°				