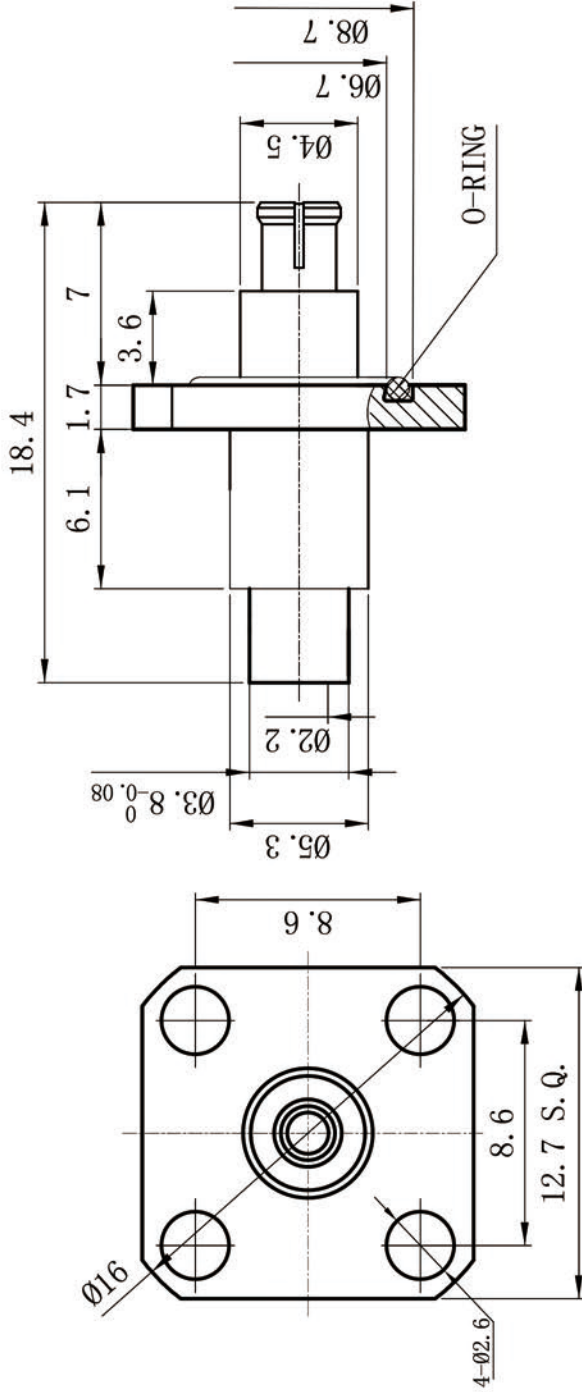


This document contains proprietary information and such information may not be disclosed to others for any purposes, not used for sales/marketing/procurement purposes without written permission

- 1 Electrical
 - 1.1 Impedance 50 Ω
 - 1.2 Frequency DC ~ 6GHz
 - 1.2 Dielectric withstanding voltage 1000V (volts RMS)
 - 1.3 Center contact resistance $\leq 3M\Omega$
 - 1.4 Outer contact resistance $\leq 2M\Omega$
 - 1.5 Insulation resistance: $\geq 5000M\Omega$
- 2 Environmental & Mechanical
 - 2.1 Temperature range -45 $^{\circ}$ C ~ 85 $^{\circ}$ C
 - 2.2 RoHS Compliant
 - 2.3 Durability < 500 cycles
- 3 Materials & plating
 - 3.1 Body: Brass, Gold Plated
 - 3.2 Insulator: Teflon
 - 3.3 Contact Pin: Beryllium Copper Gold plated
 - 3.4 Spring Contact: Beryllium Copper Gold plated
 - 3.5 Gasket: Silicon Rubber
- 4 Compliant with IP67 Requirement



Panel Mount Recommendation

Notes:

1. ALL SPECIFICATIONS ARE SUBJECT TO CHANGE NOTICE AT ANY TIME
2. CUSTOMER OUTLINE DRAWING FOR REFERENCE ONLY

REV	DESCRIPTION OF REVISION	ECN NO.	BY	DATE	APPROVED
A	Initial Release		T. Shihua	14/08/18	14/08/18

DRAWN: T. Shihua 14/08/18	ENGINEER: C. Tao 14/08/18	APPROVED: W. Qiang 14/08/18
TOLERANCES UNLESS OTHERWISE SPECIFIED		
X	=0.50	
X	=0.20	
XX	=0.10	
ANGLES $\pm 1^{\circ}$		

TITLE:		RF Coaxial Connector
		SMP Female flange Conn.
		For .086/RG405 Cable
PART NO:	SMP-KF82M	
SIZE:	A4	
SCALE:	N/A	
SHEET:	1/1	
REV:	A	

DIMENSION IN MILLIMETERS (mm)