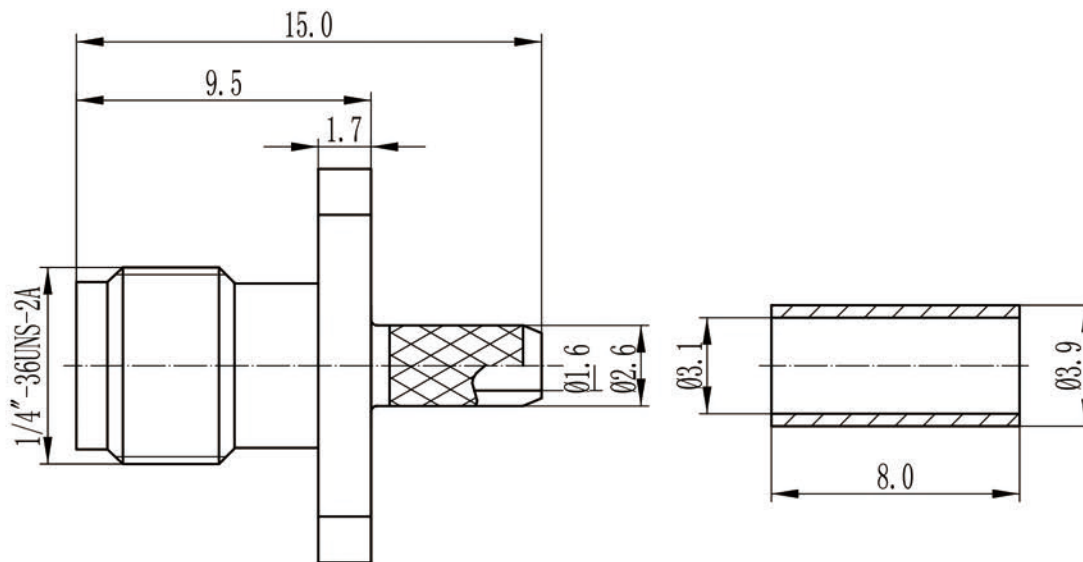
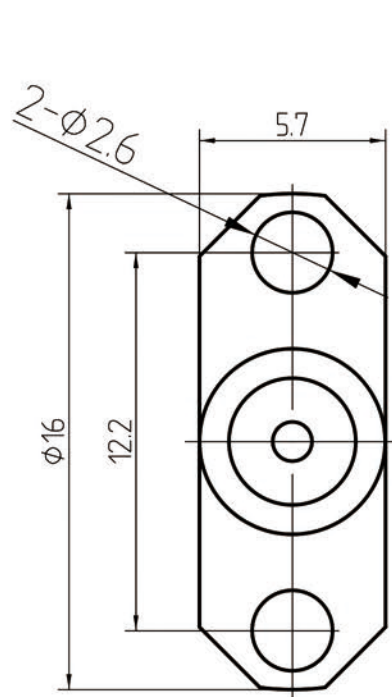


This document contains proprietary information and such information may not be disclosed to others for any purposes, not used for sales/marketing/procurement purposes without written permission

REV	DESCRIPTION OF REVISION	ECN NO.	BY	DATE	APPROVED
A	Initial Release	—	T.Haiyun	5/11/14	5/11/14



1 Electrical

- 1.1 Impedence 50 Ω
- 1.2 Frequency 0~6GHz
- 1.2 Dielectric withstanding voltage 1000V(volts RMS)
- 1.3 Center contact resistance ≤ 3M Ω
- 1.4 Outer contact resistance ≤ 2M Ω
- 1.5 Insulation resistance: ≥5000M Ω
- 1.6 VSWR 1.3:1

2 Environmental&Mechanical



- 2.1 Temperature range -45°C~85°C
- 2.2 RoHs Compliant YES
- 2.3 Durability >500 cycles

3 Materials&plating

- 3.1 Body: Brass; Gold, plated
- 3.2 Insulator: Teflon
- 3.3 Contact Pin: Brass; Gold, plated

Notes:

- 1. ALL SPECIFICATIONS ARE SUBJECT TO CHANGE NOTICE AT ANY TIME
- 2. CUSTOMER OUTLINE DRAWING FOR REFERENCE ONLY

DRAWN : T.Haiyun 5/11/14 ENGINEER: C.Tao 5/11/14 APPROVED : W.Qiang 5/11/14 TOLERANCES UNLESS OTHERWISE SPECIFIED X ±0.50 X ±0.20 XX ±0.10 ANGLES ±1°	TITLE: RF Coaxial Connector SMA male Flange Connector RG316 Cable	 www.rf-connector-china.com  DIMENSION IN MILLIMETERS (mm)		
PART NO: SMA-KF3B	SIZE: A4	SCALE: N/A	SHEET: 1/1	REV: A