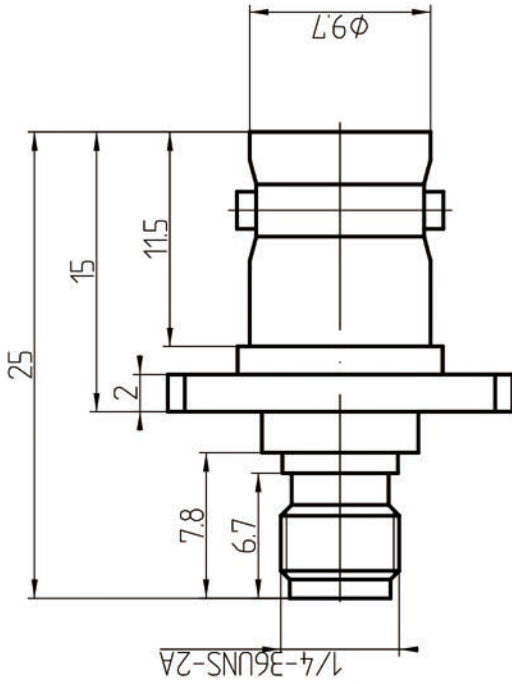


This document contains proprietary information and such information may not be disclosed to others for any purposes, not used for sales/marketing/procurement purposes without written permission



1 Electrical

- 1.1 Impedance 50 Ω
- 1.2 Frequency DC-4GHz
- 1.3 Dielectric withstanding voltage 100V(volts RMS)
- 1.4 Center contact resistance ≤ 3M Ω
- 1.5 Outer contact resistance ≤ 2M Ω
- 1.6 Insulation resistance: ≥5000M Ω

2 Environment&Mechanical

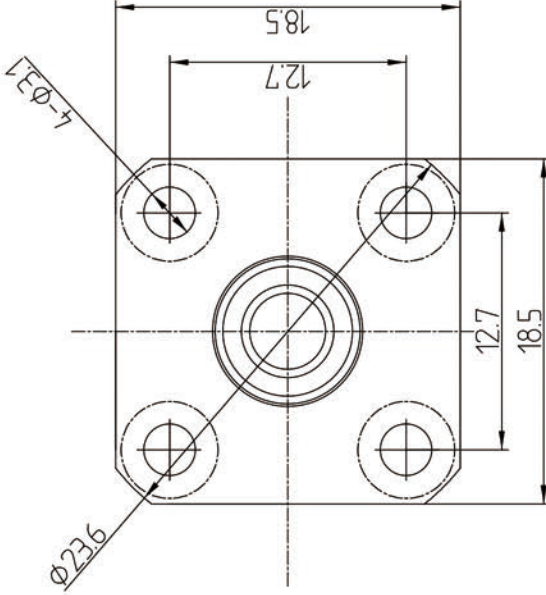
- 2.1 Temperature range -45°~85°
- 2.2 RoHS Compliant
- 2.3 Durability >500 cycles

3 Materials&plating

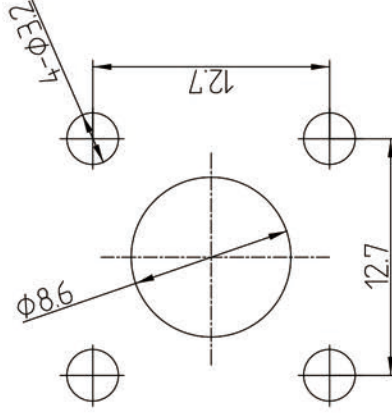
- 3.1 Body: Brass, Nickel plated
- 3.2 Insulator: Teflon
- 3.3 Contact Pin: Phosphor Bronze, Gold plated

Notes:

- 1. ALL SPECIFICATIONS ARE SUBJECT TO CHANGE NOTICE AT ANY TIME
- 2. CUSTOMER OUTLINE DRAWING FOR REFERENCE ONLY



Recommended Mounting Hole



REV	DESCRIPTION OF REVISION	ECN NO.	BY	DATE	APPROVED
A	Initial Release		T. Shihua	09/07/15	09/07/15

DRAWN: T. Shihua 09/07/15	
ENGINEER: C. Tao 09/07/15	
APPROVED: W. Qiang 09/07/15	
TOLERANCES UNLESS OTHERWISE SPECIFIED	
X	+0.50
X	+0.20
XX	+0.10
ANGLES ±1°	

TITLE:	
RF Adaptor	
BNC Female to SMA Female Flange Adaptor	
PART NO:	BNC/SMA-KFKA
SIZE:	A4
SCALE:	N/A
SHEET:	1/1
REV:	A

www.rf-connector-china.com	
DIMENSION IN MILLIMETERS (mm)	