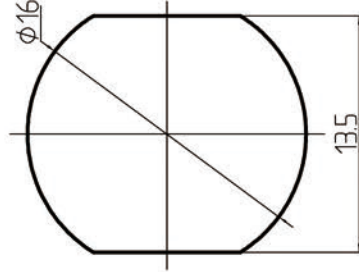
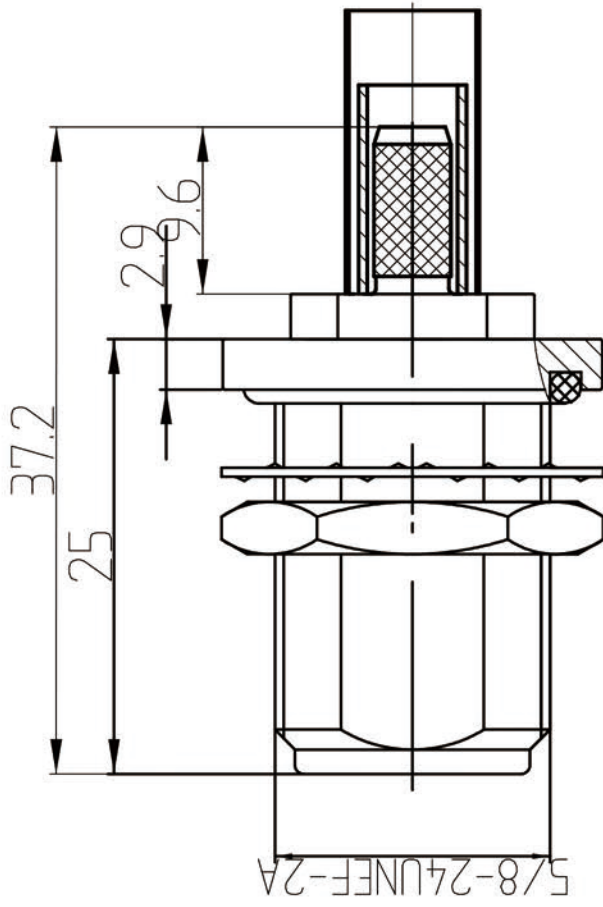


This document contains proprietary information and such information may not be disclosed to others for any purposes, not used for sales/marketing/procurement purposes without written permission

- 1 Electrical
 - 1.1 Impedence 50 Ω
 - 1.2 Frequency 0~3GHz
 - 1.2 Dielectric withstanding voltage 1500V(volts RMS)
 - 1.3 Working Voltage: 1000V rms
 - 1.5 Insulation resistance: $\geq 5000M\Omega$
- 2 Environmental&Mechanical
 - 2.1 Temperature range -40 $^{\circ}$ C~85 $^{\circ}$ C
 - 2.2 RoHs Compliant
 - 2.3 Durability >500 cycles

- 3 Materials&plating
 - 3.1 Body: Brass, nickel plated
 - 3.2 Insulator: Teflon
 - 3.3 Contact Pin: Phosphor bronze, Gold plated
 - 3.4 Housing: Brass, nickel plated
 - 3.5 Nut: Brass, nickel plated
 - 3.6 Washer: Brass, nickel plated



REV	DESCRIPTION OF REVISION	ECN NO.	BY	DATE	APPROVED
A	Initial Release		T.haiyum	18/05/08	18/05/08

DRAWN: T. Haiyum 18/05/08	TITLE: RF Coaxial Connector
ENGINEER: C. Tao 18/05/08	N female B/H Conn. For RG58 cable sky window
APPROVED: W. Qiang 18/05/08	
TOLERANCES UNLESS OTHERWISE SPECIFIED	
X ±0.50	
X ±0.20	
XX ±0.10	
ANGLES ±1°	

		www.rf-connector-china.com	
		DIMENSION IN MILLIMETERS (mm)	
SIZE: A4	SCALE: N/A	SHEET: 1/1	REV: A

Notes:

1. ALL SPECIFICATIONS ARE SUBJECT TO CHANGE NOTICE AT ANY TIME
2. CUSTOMER OUTLINE DRAWING FOR REFERENCE ONLY