

This document contains proprietary information and such information may not be disclosed to others for any purposes, not used for sales/marketing/procurement purposes without written permission

REV	DESCRIPTION OF REVISION	EON NO.	BY	DATE	APPROVED
A	Initial Release		T.Holjyun	21/05/08	21/05/08

1 Electrical

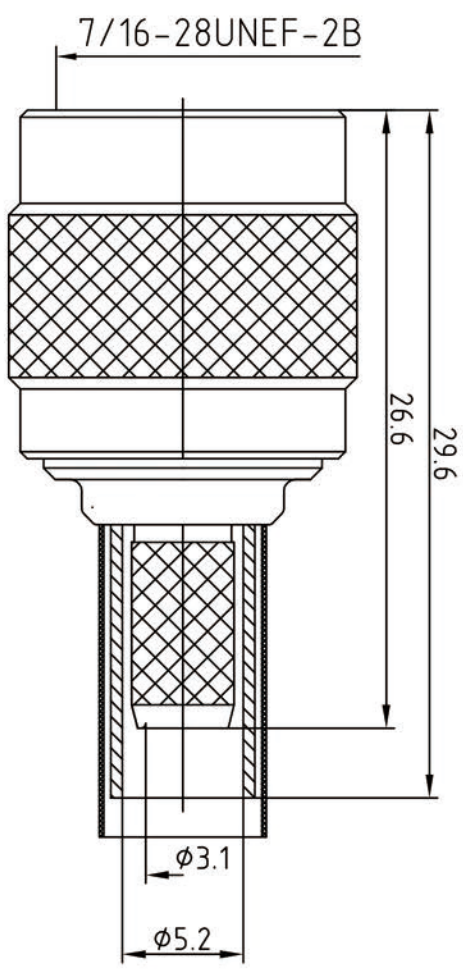
- 1.1 Impedence: 50Ω
- 1.2 Frequency: DC~6GHz
- 1.3 Dielectric withstanding voltage: 1500V(volts RMS)
- 1.4 Center contact resistance: ≤ 1.5MΩ
- 1.5 Outer contact resistance: ≤ 0.2MΩ
- 1.6 Insulation resistance: ≥ 5000MΩ

2 Environmental&Mechanical

- 2.1 Temperature range: -40℃~+70℃
- 2.2 RoHs Compliant
- 2.3 Durability: >500 cycles

3 Materials&plating

- 3.1 Body: Brass, Nickel plated
- 3.2 Insulator: Teflon
- 3.3 Contact Pin: Brass, Gold plated
- 3.4 Nut: Brass, Nickel plated
- 3.5 Gasket: Silicon Rubber (red color)
- 3.6 Washer: Brass, Nickel plated



Notes:

- 1. ALL SPECIFICATIONS ARE SUBJECT TO CHANGE NOTICE AT ANY TIME
- 2. CUSTOMER OUTLINE DRAWING FOR REFERENCE ONLY

DRAWN: T.Holjyun 21/05/08	TITLE: TNC-15Y	 www.qtr-connector-china.com
ENGINEER: C.Too 21/05/08	TNC Male Conn. for RG58 Cable	
APPROVED: W.Qiang 21/05/08	Cr:1mp	 DIMENSION IN MILLIMETERS (mm)
TOLERANCES UNLESS OTHERWISE SPECIFIED	PART NO: TRL-TNCM-236509	
X 4S.0	SIZE: A4	SCALE: N/A
XX 4S.0	ANGLE: 30°	SHEET: 1/1
		REV: A