

This document contains proprietary information and such information may not be disclosed to others for any purposes, not used for sales/marketing/procurement purposes without written permission

1 Electrical

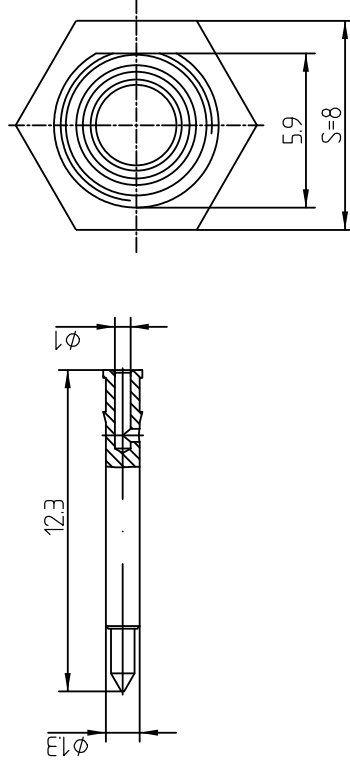
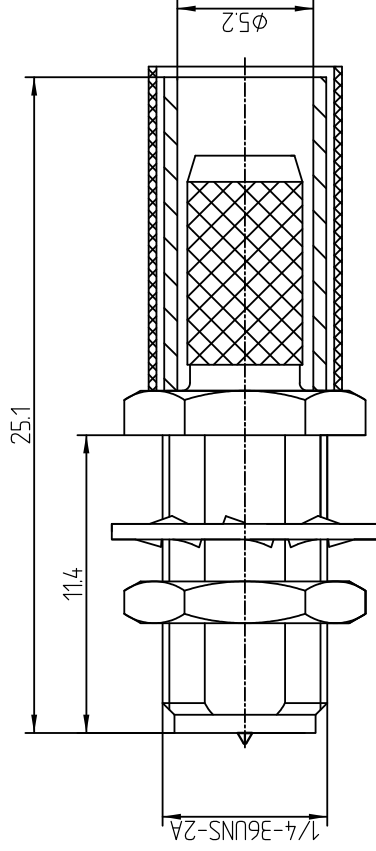
- 1.1 Impedance **50 Ω**
- 1.2 Frequency **0~6GHz**
- 1.3 Dielectric withstanding voltage **1000V(volts RMS)**
- 1.4 Center contact resistance **≤3MΩ**
- 1.5 Outer contact resistance **≤2MΩ**
- 1.6 Insulation resistance: **≥5000MΩ**

2 Environmental&Mechanical

- 2.1 Temperature range **-45℃~85℃**
- 2.2 RoHs Compliant
- 2.3 Durability **>500 cycles**

3 Materials&Finish

- 3.1 Body: **Brass, Gold Plated**
- 3.2 Insulator: **Teflon**
- 3.3 Contact Pin: **Brass, Gold plated**
- 3.4 Washer: **Brass, Gold plated**
- 3.5 Hex Nut: **Brass, Gold plated**



REV: A DESCRIPTION OF REVISION: Initial Release

ECN NO.:

BY: T. Shihua

DATE: 14/9/13

APPROVED: 14/9/13

Notes:

- 1. ALL SPECIFICATIONS ARE SUBJECT TO CHANGE NOTICE AT ANY TIME
- 2. CUSTOMER OUTLINE DRAWING FOR REFERENCE ONLY

DRAWN : T. Shihua 14/9/13

ENGINEER: C. Tao 14/9/13

APPROVED : W. Qiang 14/9/13

TOLERANCES UNLESS OTHERWISE SPECIFIED

X ±0.50

.X ±0.20

.XX ±0.10

ANGLES ±°

TITLE:

RF Coaxial Connector

RPSMA Female bulkhead Conn. For RG68 cable

PART NO: RPSMA-F5



www.qpl.com



DIMENSION IN MILLIMETERS (mm)

SIZE: A4

SCALE: N/A

SHEET: 1/1

REV: A