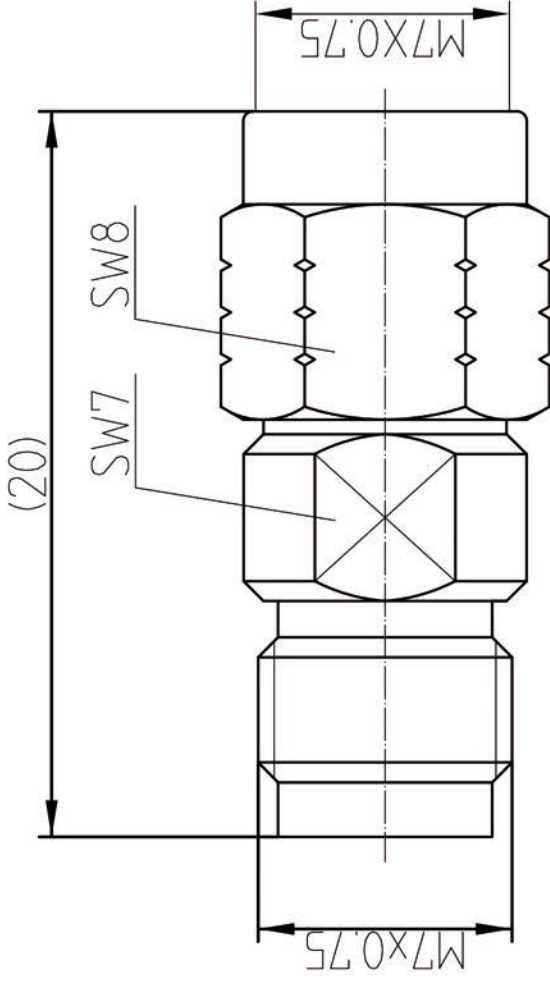


This document contains proprietary information and such information may not be disclosed to others for any purposes, not used for sales/marketing/procurement purposes without written permission

- 1 Electrical
 - 1.1 Impedance: 50 Ω
 - 1.2 Frequency: DC-67GHz
 - 1.3 VSWR: 1.3:1
- 2 Mechanical&Environmental
 - 2.1 Temperature range -45°C ~+125°C
 - 2.2 Durability(matings) >500
 - 2.3 RoHs Compliant Yes
- 3 Material&Finish
 - 3.1 Pin contact: Beryllium-Copper, gold plated
 - 3.2 Body: Stainless Steel, Passivated
 - 3.3 Insulators: PEI
- 4 Interface Standards
 - 4.1 1.85mm IEC-61169



REV	DESCRIPTION OF REVISION	ECN NO.	BY	DATE	APPROVED
A	Initial Release		T. Shihua	1/8/14	1/8/14

DRAWN : T. Shihua 1/8/14		TITLE: Precision Adapter		www.rf-connector-china.com	
ENGINEER: C. Tao 1/8/14		1.85 Female to 1.85 Male		DIMENSION IN MILLIMETERS (mm)	
APPROVED : W. Qiang 1/8/14		PART NO: 1.85-JKG		SCALE: N/A	
TOLERANCES UNLESS OTHERWISE SPECIFIED		SIZE: A4		SUBSET: 1/1	
X	+0.50	REP: A			
X	+0.20				
XX	+0.10				
	ANGLES ±°				

Notes:
 1. ALL SPECIFICATIONS ARE SUBJECT TO CHANGE NOTICE AT ANY TIME
 2. CUSTOMER OUTLINE DRAWING FOR REFERENCE ONLY