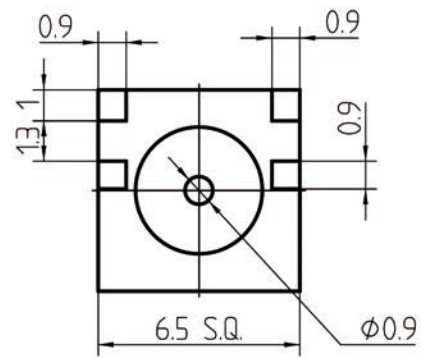
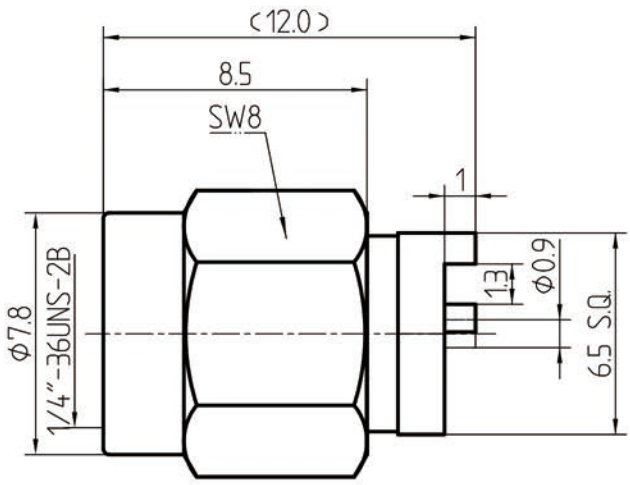


This document contains proprietary information and such information may not be disclosed to others for any purposes, not used for sales/marketing/procurement purposes without written permission

REV	DESCRIPTION OF REVISION	ECN NO.	BY	DATE	APPROVED
A	Initial Release	—	T. Haiyun	23/5/14	23/5/14





<u>1 Electrical</u>	
1.1 Impedance	50 Ω
1.2 Frequency	DC ~6GHz
1.3 Dielectric withstanding voltage	1000V(volts RMS)
1.4 Center contact resistance	$\leq 3M \Omega$
1.5 Outer contact resistance	$\leq 2M \Omega$
1.6 Insulation resistance:	$\geq 5000M \Omega$

<u>2 Environmental&Mechanical</u>	
2.1 Temperature range	-40 $^{\circ}$ C ~+85 $^{\circ}$ C
2.2 RoHs Compliant	
2.3 Durability	>500 cycles

<u>3 Materials&plating</u>	
3.1 Body:	Brass; gold plated
3.2 Insulator:	Teflon
3.3 Contact Pin:	Brass, gold plated
3.4 Nut:	Brass, gold Plated
3.5 Gasket:	Silicon Rubber (red color)
3.6 Meet with 24h Salt spray	

Notes:

- ALL SPECIFICATIONS ARE SUBJECT TO CHANGE NOTICE AT ANY TIME
- CUSTOMER OUTLINE DRAWING FOR REFERENCE ONLY

DRAWN : T. Haiyun 23/5/14 ENGINEER: C. Tao 23/5/14 APPROVED : W. Qiang 23/5/14	TITLE: RF Coaxial Connector SMA Male Conn. for PCB	 www.rf-connector-china.com  DIMENSION IN MILLIMETERS (mm)
TOLERANCES UNLESS OTHERWISE SPECIFIED X ± 0.50 X ± 0.20 XX ± 0.10 ANGLES $\pm 1^{\circ}$	PART NO: SMA-JHDC2 SIZE: A4 SCALE: N/A SHEET: 1/1 REV: A	