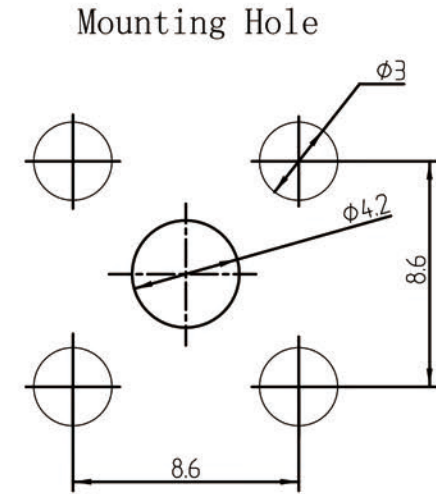
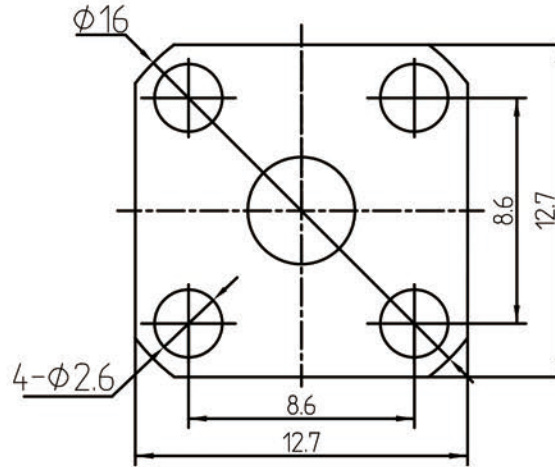
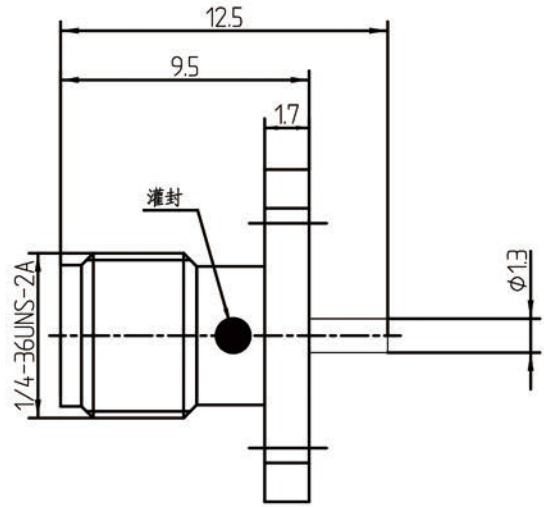


This document contains proprietary information and such information may not be disclosed to others for any purposes, not used for sales/marketing/procurement purposes without written permission

REV	DESCRIPTION OF REVISION	ECN NO.	BY	DATE	APPROVED
A	Initial Release	—	T. Haiyun	15/09/17	15/09/17



1 Electrical

- 1.1 Impedance 50 Ω
- 1.2 Frequency DC~6GHz
- 1.2 Dielectric withstanding voltage 1000V(volts RMS)
- 1.3 Center contact resistance ≤ 3MΩ
- 1.4 Outer contact resistance ≤ 2MΩ
- 1.5 Insulation resistance: ≥5000MΩ
- 1.6 VSWR 1.2max

2 Environmental&Mechanical



- 2.1 Temperature range -45℃~85℃
- 2.2 RoHS Compliant
- 2.3 Durability >500 cycles

3 Materials&plating

- 3.1 Body: Brass, Gold plated
- 3.2 Insulator: Teflon
- 3.3 Contact Pin: Bronze, Gold plated

**Notes:**

- 1. ALL SPECIFICATIONS ARE SUBJECT TO CHANGE NOTICE AT ANY TIME
- 2. CUSTOMER OUTLINE DRAWING FOR REFERENCE ONLY

DRAWN : T. Haiyun 15/09/17 ENGINEER: C. Tao 15/09/17 APPROVED : W. Qiang 15/09/17	<b>TITLE:</b> RF Coaxial Connector SMA Female Flange Conn. Terminal	 <a href="http://www.rf-connector-china.com">www.rf-connector-china.com</a>  DIMENSION IN MILLIMETERS (mm)
<b>TOLERANCES UNLESS OTHERWISE SPECIFIED</b> X ±0.50 X ±0.20 XX ±0.10 ANGLES ±1°	<b>PART NO:</b> SMA-KFD1021 <b>SIZE:</b> A4 <b>SCALE:</b> N/A <b>SHEET:</b> 1/1 <b>REV:</b> A	