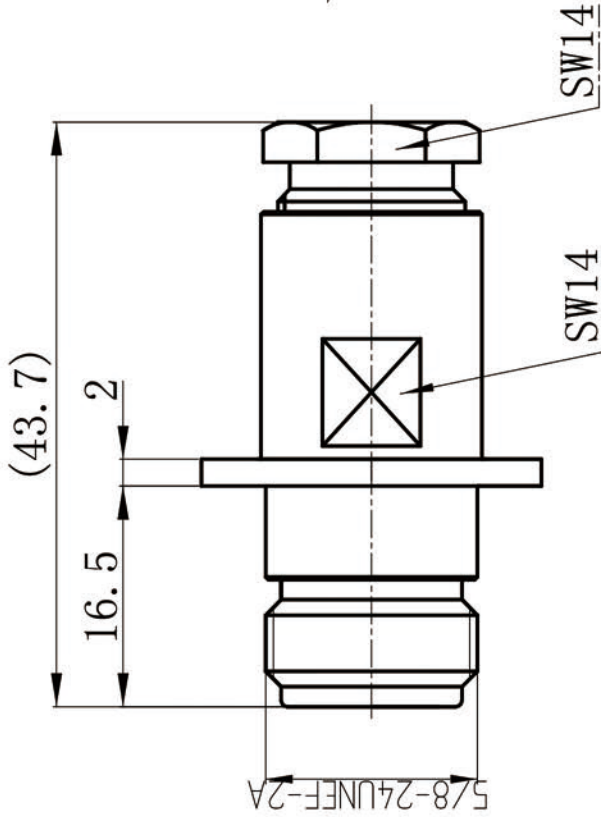
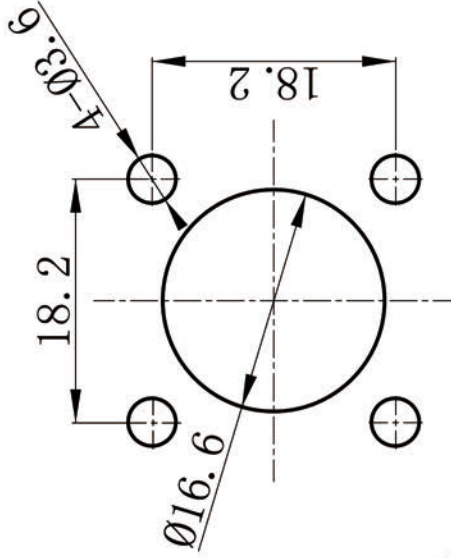


This document contains proprietary information and such information may not be disclosed to others for any purposes, not used for sales/marketing/procurement purposes without written permission

Recommended Mounting Hole



- 1 Electrical
 - 11 Impedance 50 Ω
 - 12 Frequency 0~6GHz
 - 13 Dielectric withstanding voltage 1500V (volts RMS)
 - 14 Center contact resistance ≤ 1MΩ
 - 15 Outer contact resistance ≤ 0.2MΩ
 - 16 Insulation resistance: ≥5000MΩ
- 2 Environmental & Mechanical
 - 2.1 Temperature range -45°~+125°
 - 2.2 RoHS Compliant
 - 2.3 Durability >500 cycles
- 3 Materials & plating
 - 3.1 Body: Brass, nickel plated
 - 3.2 Insulator: Teflon
 - 3.3 Contact Pin: Bronze, Gold plated
 - 3.4 O-Ring: Silicon Rubber



REV	DESCRIPTION OF REVISION	ECN NO.	BY	DATE	APPROVED
A	Initial Release		T. Shihua	07/04/16	07/04/16

Notes:

1. ALL SPECIFICATIONS ARE SUBJECT TO CHANGE NOTICE AT ANY TIME
2. CUSTOMER OUTLINE DRAWING FOR REFERENCE ONLY

DRAWN: T. Shihua 07/04/16
ENGINEER: C. Tao 07/04/16
APPROVED: W. Qiang 07/04/16
TOLERANCES UNLESS OTHERWISE SPECIFIED
X ±0.50
.X ±0.20
.XX ±0.10
ANGLES ±1°

TITLE:	
RF Coaxial Connector	
N female Flange Conn. For RG58 Cable	
PART NO:	N-RF5A

QPL www.rf-connector-china.com

DIMENSION IN MILLIMETERS (mm)

SIZE: A4 SCALE: N/A SHEET: 1/1 REV: A