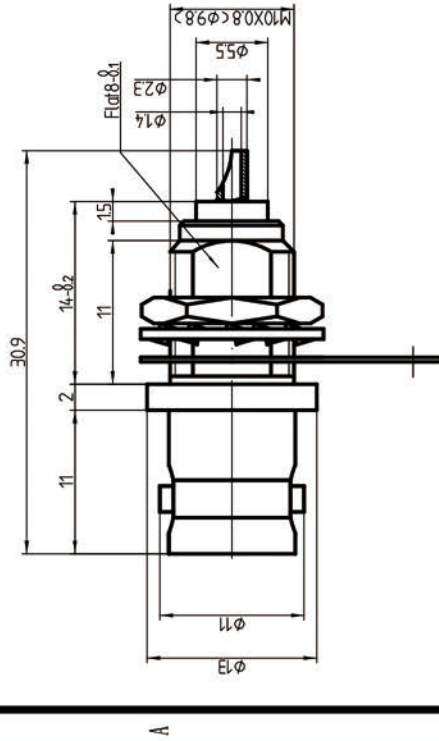
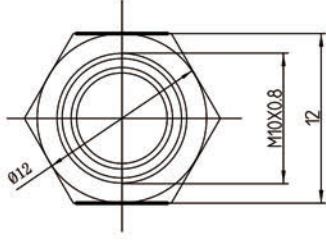
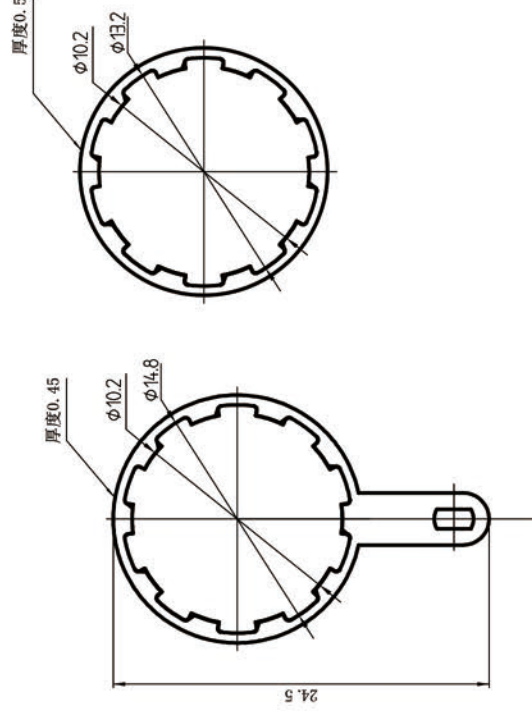
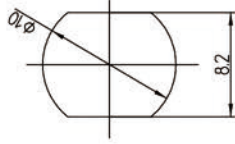


This document contains proprietary information and such information may not be disclosed to others for any purposes, not used for sales/marketing/procurement purposes without written permission



推荐安装孔尺寸



- 1 Electrical
 - 1.1 Impedence 50 Ω
 - 1.2 Frequency DC-4GHz
 - 1.3 VSWR 1.30:1
- 2 Environmental & Mechanical
 - 2.1 Temperature range -45 °C ~ 125 °C
 - 2.2 RoHs Compliant
 - 2.3 Durability >500 cycles
- 3 Materials & plating
 - 3.1 Body: Brass, Nickel plated
 - 3.2 Insulator: Teflon
 - 3.3 Contact Pin: Phosphor Bronze, Gold plated
 - 3.4 Washer: Bronze, nickel plated
 - 3.5 Hex Nut: Brass, nickel plated

Notes:

1. ALL SPECIFICATIONS ARE SUBJECT TO CHANGE NOTICE AT ANY TIME
2. CUSTOMER OUTLINE DRAWING FOR REFERENCE ONLY

REV	DESCRIPTION OF REVISION	ECN NO.	BY	DATE	APPROVED
A	Initial Release		T. Shihua	02/08/13	02/08/13

DRAWN: T. Shihua 02/08/13		TITLE: RF Coaxial Connector	
ENGINEER: C. Tao 02/08/13		RF Female bulkhead Conn. For Solder Pot Terminal	
APPROVED: W. Qiang 02/08/13		DIMENSION IN MILLIMETERS (mm)	
TOLERANCES UNLESS OTHERWISE SPECIFIED		SCALE: 1:1	
X ±0.50		SIZE: A4	SHEET: 1/1
X ±0.20			REV: A
XX ±0.10			
ANGLES ±1°			
PART NO: BNC-KYD4		www.f-conector-china.com	