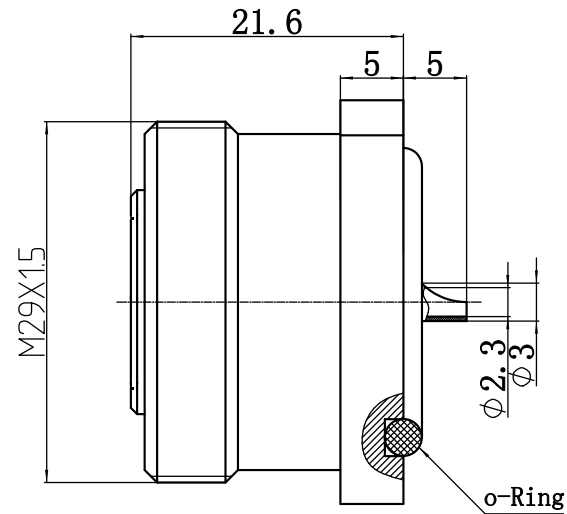
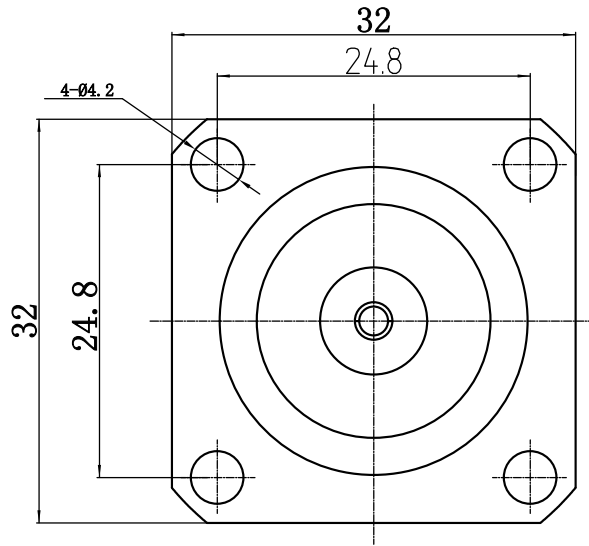


This document contains proprietary information and such information may not be disclosed to others for any purposes,  
not used for sales/marketing/procurement purposes without written permission

REV	DESCRIPTION OF REVISION	ECN NO.	BY	DATE	APPROVED
A	Initial Release	—	T.Haiyun	11/08/17	11/08/17



### 1 Electrical

- 1.1 Impedance: 50 Ω
- 1.2 Frequency: DC-7.5GHz
- 1.3 Withstand Voltage: 4000V
- 1.4 Insulation Resistance:  $\geq 10000 \text{ M}\Omega$
- 1.5 PIM: -150dBc

### 2 Material&Finish

- 2.1 Contact: Bronze, Silver plated
- 2.2 Body: Brass, Tri-ALLOY
- 2.3 Insulators: Teflon

#### Notes:

- 1. ALL SPECIFICATIONS ARE SUBJECT TO CHANGE NOTICE AT ANY TIME
- 2. CUSTOMER OUTLINE DRAWING FOR REFERENCE ONLY

<b>DRAWN:</b> T.Haiyun 11/08/17	<b>TITLE:</b> <b>RF Coaxial Connector</b>  <b>L29 Female Flange Conn.</b> <b>For Terminal</b>	<b>Xi'an Huading Electronic</b> <b>Scien&amp;Tech Co., Ltd.</b>				
<b>ENGINEER:</b> C.Tao 11/08/17		DIMENSION IN MILLIMETERS (mm)				
<b>APPROVED:</b> W.Qiang 11/08/17						
<b>TOLERANCES UNLESS OTHERWISE SPECIFIED</b> X ±0.50 .X ±0.20 .XX ±0.10 ANGLES ±1°		<b>PART NO:</b> L29-KFD7	<b>SIZE:</b> A4	<b>SCALE:</b> N/A	<b>SHEET:</b> 1/1	<b>REV:</b> A