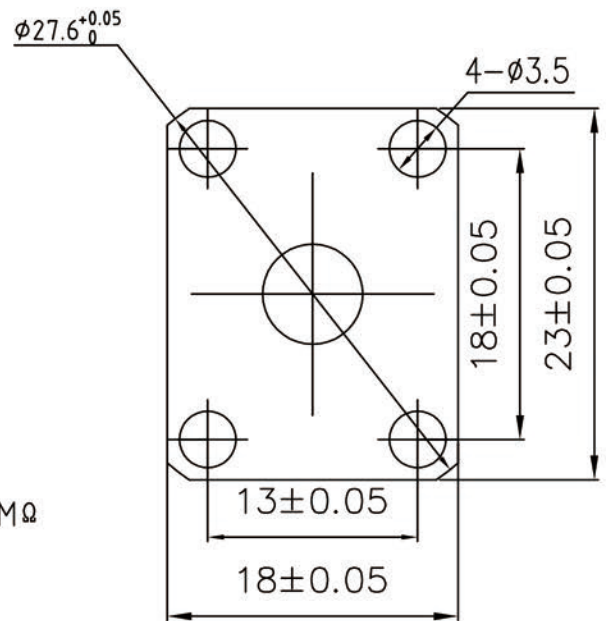
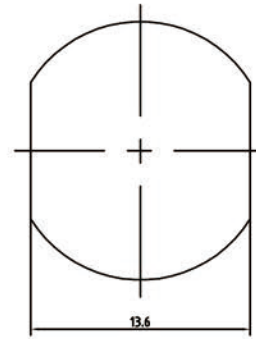


Mounting Hole

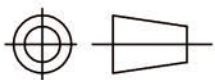


1 Electrical

- 1.1 Impedance: 50Ω
- 1.2 Frequency: 0-11GHz
- 1.3 Insulation resistance: $\geq 5000M\Omega$
- 1.4 Dielectric strength: 1500V
- 1.5 Contact resistance
 - Center contact $\leq 1M\Omega$
 - Outer contact $\leq 0.2M\Omega$

2 Materials&Finish

- 2.1 Inner Contact: Phosphor Bronze, gold plated
- 2.2 Outer Contact: Brass, Nickel plated
- 2.3 Insulators: PTFE



Scale

1:1

N-KYFD101

N female B/H Flange Conn

UNLESS OTHERWISE SPECIFIED
DIMENSIONS ARE mm, TOLERANCES ARE:
FRACTIONS DECIMALS ANGLES
.X±.15 ±1°
.XX±.05
.XXX±

No		Name	Date
1	Designed	Tomson Tang	10-Oct-12
2	Checked	Jason Du	10-Oct-12
3	Approved	Teresa	10-Oct-12



www.rf-connector-china.com