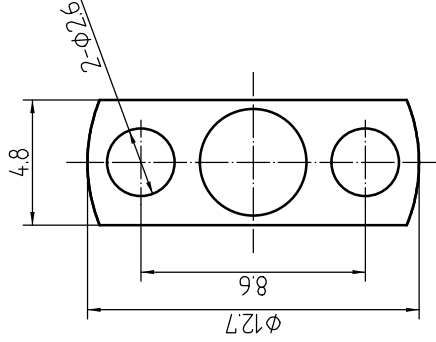
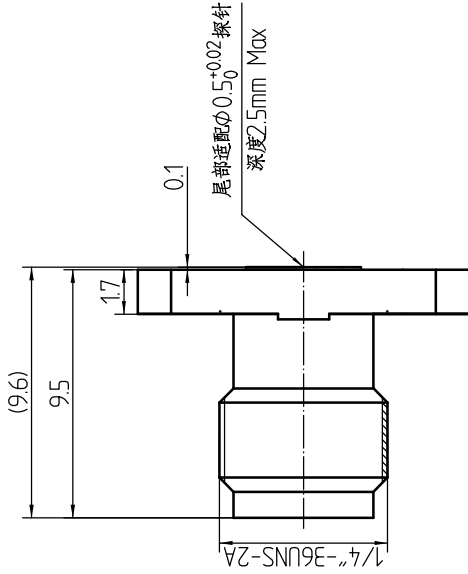


This document contains proprietary information and such information may not be disclosed to others for any purposes, not used for sales/marketing/procurement purposes without written permission

REV	DESCRIPTION OF REVISION	ECN NO.	BY	DATE	APPROVED
A	Initial Release		T. Haiyun	15/09/17	15/09/17



- 1 Electrical
  - 1.1 Impedance 50 Ω
  - 1.2 Frequency DC~18GHz
  - 1.2 Dielectric withstanding voltage 1000V(volts RMS)
  - 1.3 Center contact resistance ≤ 3MΩ
  - 1.4 Outer contact resistance ≤ 2MΩ
  - 1.5 Insulation resistance: ≥5000MΩ
  - 1.6 VSWR 1.25 : 1

2 Environmental & Mechanical

- 2.1 Temperature range -45℃~125℃
- 2.2 RoHS Compliant
- 2.3 Durability >500 cycles

3 Materials & Plating

- 3.1 Body: Brass, Gold plated
- 3.2 Insulator: Teflon
- 3.3 Contact Pin: Beryllium-copper, Gold plated

Notes:

1. ALL SPECIFICATIONS ARE SUBJECT TO CHANGE NOTICE AT ANY TIME
2. CUSTOMER OUTLINE DRAWING FOR REFERENCE ONLY

DRAWN: T. Haiyun 15/09/17
ENGINEER: C. Tao 15/09/17
APPROVED: W. Qiang 12/07/08
TOLERANCES UNLESS OTHERWISE SPECIFIED
X ±0.50
.X ±0.20
.XX ±0.10
ANGLES °

TITLE:		RF Coaxial Connector		www.rf-connectr-china.com	
SMA Female Flange Conn. Terminal		RF Coaxial Connector		DIMENSION IN MILLIMETERS (mm)	
PART NO: SMA-KFDO-5C	SCALE: N/A	SHEET: 1/1	REV: A	SIZE: A4	



www.rf-connectr-china.com



DIMENSION IN MILLIMETERS (mm)

SIZE: A4

SCALE: N/A

SHEET: 1/1

REV: A