

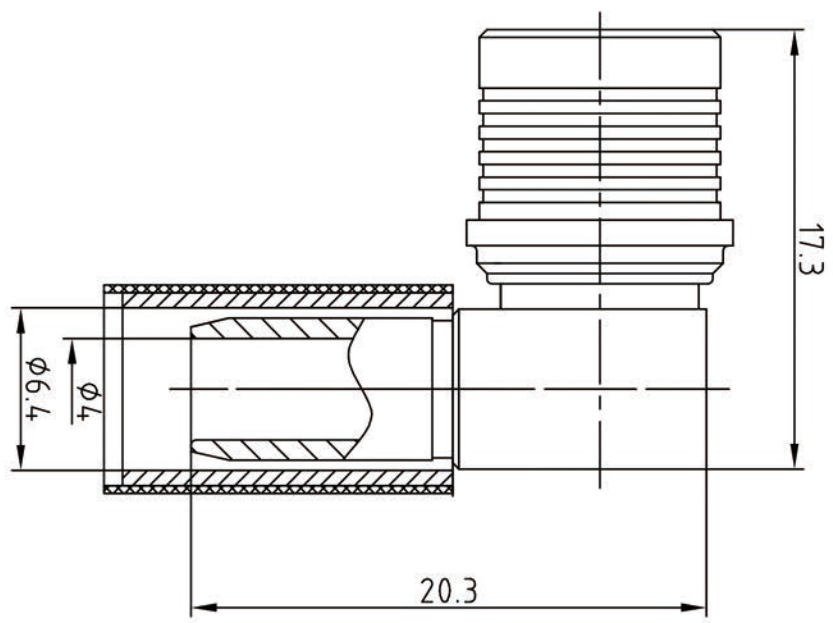
This document contains proprietary information and such information may not be disclosed to others for any purposes, not used for sales/marketing/procurement purposes without written permission


REV	DESCRIPTION OF REVISION	EON NO.	BY	DATE	APPROVED
A	Initial Release		T.Holjun	28/8/13	28/8/13

- 1 Electrical
 - 1.1 Impedence 50Ω
 - 1.2 Frequency 0~6GHz
 - 1.3 Dielectric withstanding voltage 1500V(volts RMS)
 - 1.4 Working Voltage: 500V rms max
 - 1.5 Insulation resistance: ≥5000MΩ
 - 1.6: Center Contact resistance <3 MΩ
 - 1.7 Outer Contact Resistance <2.5 MΩ

- 2 Environmental&Mechanical
 - 2.1 Temperature range -40℃~85℃
 - 2.2 RoHS Compliant
 - 2.3 Durability >500 cycles

- 3 Materials&Finish
 - 3.1 Body: Brass, Suco-plated
 - 3.2 Insulator: Teflon
 - 3.3 Contact Pin: Brass, Silver plated
 - 3.4 Spring: Phosphor bronze, Suco-plated
 - 3.5 Crimp ferrule: Copper, nickel plated



DRAWN: T.Holjun 28/08/13	TITLE: QMA-JW240Y	 www.rf-conector-china.com
ENGINEER: C.Too 28/08/13	QMA Male R/A Conn. For LMR240 Cable	
APPROVED: W.Qiang 28/08/13	PART NO: TRL-QMAM-5131	SIZE: A4
TOLERANCES UNLESS OTHERWISE SPECIFIED X ±0.20 XX ±0.10 ANGLES 30°	SCALE: 1:1	SHEET: 1/1
		REV: A

Notes:
 1. ALL SPECIFICATIONS ARE SUBJECT TO CHANGE NOTICE AT ANY TIME
 2. CUSTOMER OUTLINE DRAWING FOR REFERENCE ONLY