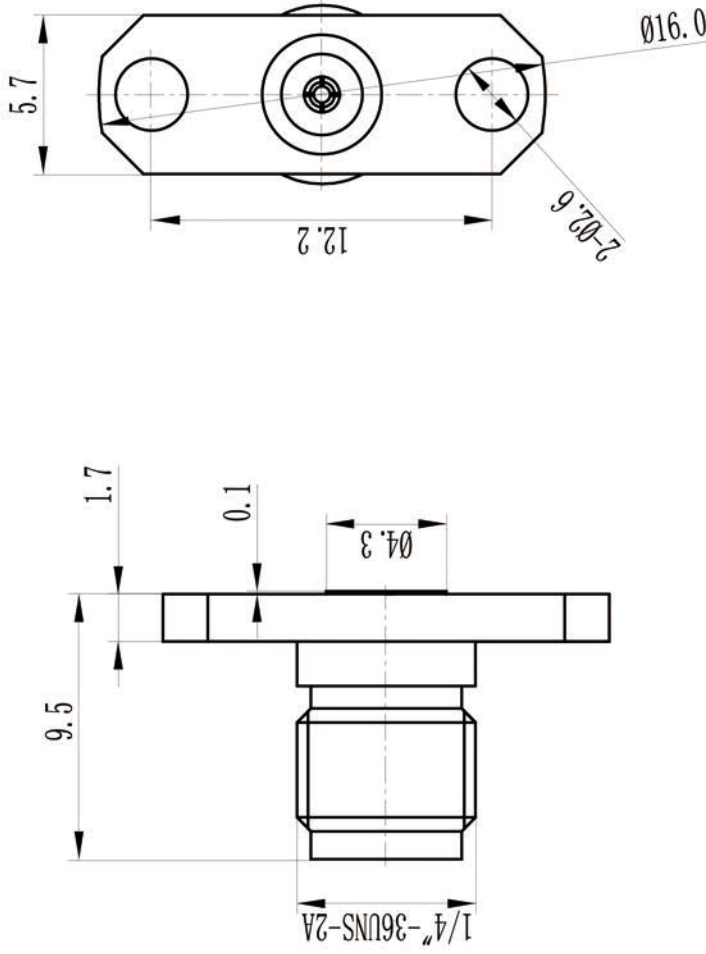


This document contains proprietary information and such information may not be disclosed to others for any purposes, not used for sales/marketing/procurement purposes without written permission

- 1 Electrical
 - 1.1 Impedance: 50 Ω
 - 1.2 Frequency: DC-40GHz
 - 1.3 VSWR: 1.25:1
- 2 Mechanical&Environmental
 - 2.1 Temperature range -45°C ~+125°C
 - 2.2 Durability(matings) >500
 - 2.3 Rohs Compliant Yes
- 3 Material&Finish
 - 3.1 Pin contact: Beryllium-Copper, gold plated
 - 3.2 Body: Stainless Steel(SU303), Passivated
 - 3.3 Insulators: PEI
- 4 Interface Standards
 - 4.1 2.92 MIL-STD-348A



REV	DESCRIPTION OF REVISION	ECN NO.	BY	DATE	APPROVED
A	Initial Release		T. Shihua	29/8/16	29/8/16

Notes:

- 1. ALL SPECIFICATIONS ARE SUBJECT TO CHANGE NOTICE AT ANY TIME
- 2. CUSTOMER OUTLINE DRAWING FOR REFERENCE ONLY

DRAWN: T. Shihua 29/8/16
ENGINEER: C. Tao 29/8/16
APPROVED: W. Qiang 29/8/16
TOLERANCES UNLESS OTHERWISE SPECIFIED
X ±0.50
.X ±0.20
.XX ±0.10
ANGLES ±1°

TITLE:	
Precision RF Connector	www.rf-connector-china.com
2.92mm Female flange with solder end	
PART NO: 2.92-KFDD.5G	DIMENSION IN MILLIMETERS (mm)
SIZE: A4	SCALE: N/A
SHEET: 1/1	REV: A