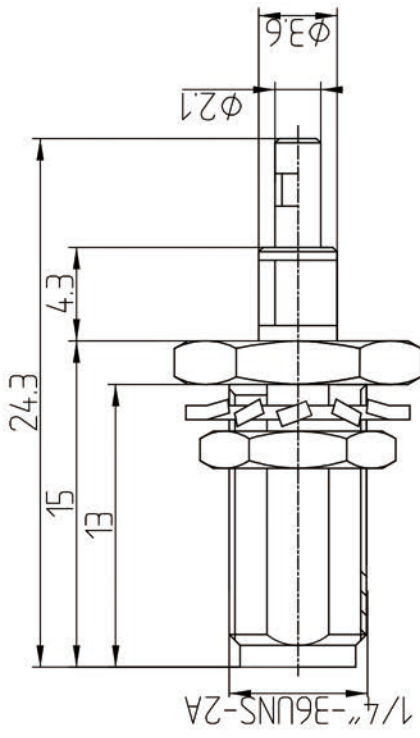


This document contains proprietary information and such information may not be disclosed to others for any purposes, not used for sales/marketing/procurement purposes without written permission

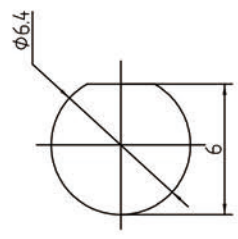
- 1 Electrical
 - 1.1 Impedence 50Ω
 - 1.2 Frequency 0~3GHz
 - 1.3 Dielectric withstanding voltage 1000V(volts RMS)
 - 1.4 Center contact resistance ≤ 3MΩ
 - 1.5 Outer contact resistance ≤ 2MΩ
 - 1.6 Insulation resistance: ≥5000MΩ

- 2 Environmental&Mechanical
 - 2.1 Temperature range -45℃~85℃
 - 2.2 RoHs Compliant
 - 2.3 Durability >500 cycles

- 3 Materials&Finish
 - 3.1 Body: Brass, Gold Plated
 - 3.2 Insulator: Teflon
 - 3.3 Contact Pin: Brass, Gold plated
 - 3.4 Washer: Brass, Gold plated
 - 3.5 Hex Nut: Brass, Gold plated



Recommended Mounting hole



Notes:

- 1. ALL SPECIFICATIONS ARE SUBJECT TO CHANGE NOTICE AT ANY TIME
- 2. CUSTOMER OUTLINE DRAWING FOR REFERENCE ONLY

REV	DESCRIPTION OF REVISION	ECN NO.	BY	DATE	APPROVED
A	Initial Release		T. Shihua	14/9/13	14/9/13

DRAWN: T. Shihua 14/9/13 ENGINEER: C. Tao 14/9/13 APPROVED: W. Qiang 14/9/13 TOLERANCES UNLESS OTHERWISE SPECIFIED X +0.05 X +0.20 XX +0.10 ANGLES ±T	TITLE: RF Coaxial Connector SMA Female bulkhead Conn. For RGL 13 cable	 www.rf-connector-china.com
PART NO: SMA-KY1.13E	DIMENSION IN MILLIMETERS (mm)	
SIZE: A4	SCALE: N/A	SHEET: 1/1
REV: A		