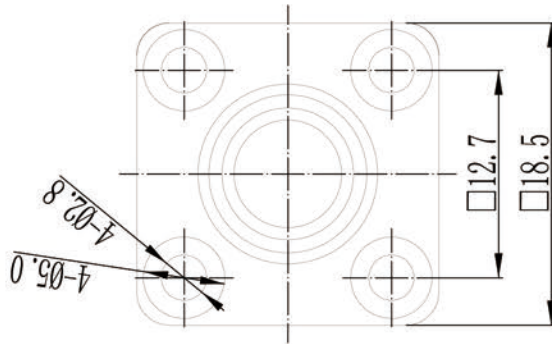
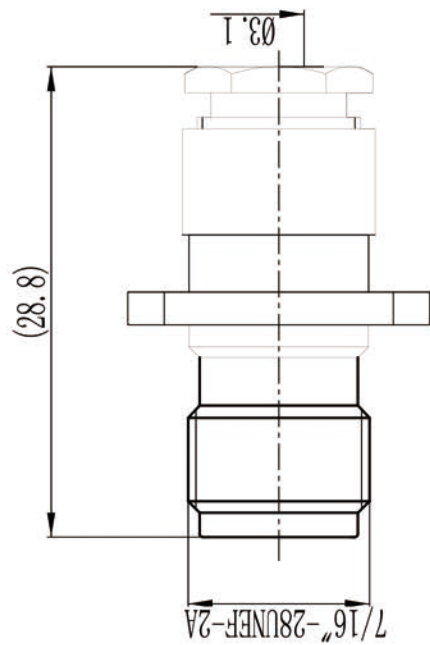
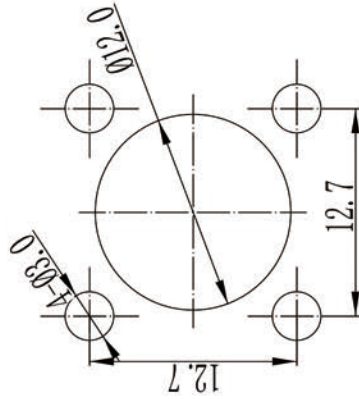


This document contains proprietary information and such information may not be disclosed to others for any purposes, not used for sales/marketing/procurement purposes without written permission

REV	DESCRIPTION OF REVISION	ECN NO.	BY	DATE	APPROVED
A	Initial Release		T. Shihua	02/08/13	02/08/13



Mounting Hole



1 Electrical

- 1.1 Impedance: 50 Ω
- 1.2 Frequency: DC-6GHz
- 1.3 Dielectric withstanding voltage: 1000V(volts RMS)
- 1.4 Center contact resistance: ≤ 3MΩ
- 1.5 Outer contact resistance: ≤ 2MΩ
- 1.6 Insulation resistance: ≥5000MΩ

2 Environmental&Mechanical

- 2.1 Temperature range: -45℃~85℃
- 2.2 RoHs Compliant
- 2.3 Durability: >500 cycles

3 Materials&plating

- 3.1 Body: Brass, Nickel plated
- 3.2 Insulator: Teflon
- 3.3 Contact Pin: Phosphor Bronze, Gold plated

Notes:

- 1. ALL SPECIFICATIONS ARE SUBJECT TO CHANGE NOTICE AT ANY TIME
- 2. CUSTOMER OUTLINE DRAWING FOR REFERENCE ONLY

DRAWN : T. Shihua 02/08/13 ENGINEER: C. Tao 02/08/13 APPROVED : W. Qiang 02/08/13 TOLERANCES UNLESS OTHERWISE SPECIFIED X +0.50 X +0.20 XX +0.10 ANGLES ±°	TITLE: RF Coaxial Connector TNC Female Flange Conn. For RG316 Cable PART NO: TNC-NF3A	www.rf-connector-china.com DIMENSION IN MILLIMETERS (mm) SCALE: N/A SIZE: A4 SHEET: 1/1 RFI: A
---	---	---