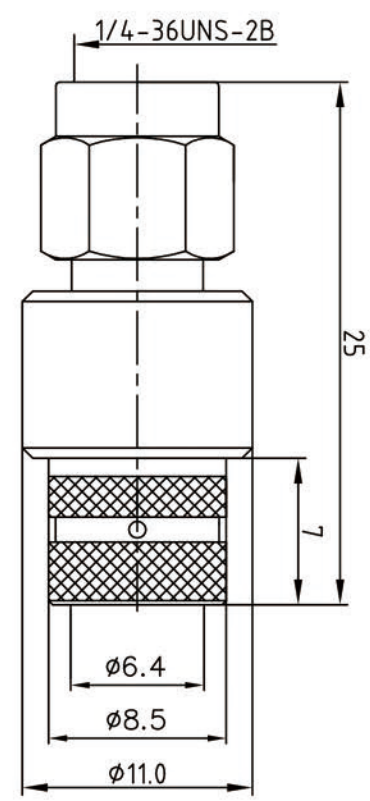


This document contains proprietary information and such information may not be disclosed to others for any purposes, not used for sales/marketing/procurement purposes without written permission

REV	DESCRIPTION OF REVISION	EON NO.	BY	DATE	APPROVED
A	Initial Release	---	T.Holjun	23/5/14	23/5/14
B	New Release	---	T.Holjun	25/5/14	25/5/14

1 Electrical

- 1.1 Impedence: 50Ω
- 1.2 Frequency: DC~6GHz
- 1.3 Dielectric withstanding voltage: 1000V(volts RMS)
- 1.4 Center contact resistance: ≤ 3MΩ
- 1.5 Outer contact resistance: ≤ 2MΩ
- 1.6 Insulation resistance: ≥ 5000MΩ

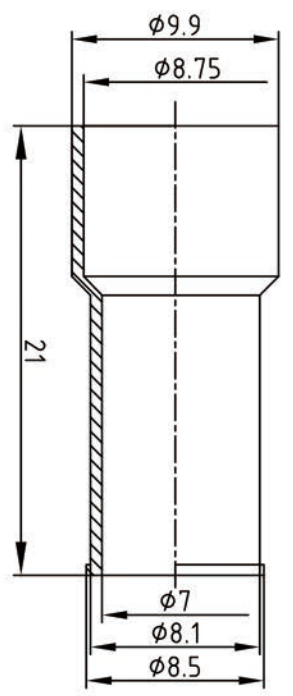


2 Environmental&Mechanical

- 2.1 Temperature range: -40℃~+70℃
- 2.2 RoHS Compliant
- 2.3 Durability: >500 cycles

3 Materials&plating

- 3.1 Body: Brass, SUCCO-plated ≥ 3μm
- 3.2 Insulator: Teflon
- 3.3 Contact Pin: Brass, Silver plated ≥ 5μm
- 3.4 Nut: Brass, SUCCO-Plated ≥ 3μm
- 3.5 Gasket: Silicon Rubber ( red color)
- 3.6 Ferrule: Copper, Suco-plated ≥ 3μm



Notes:

- 1. ALL SPECIFICATIONS ARE SUBJECT TO CHANGE NOTICE AT ANY TIME
- 2. CUSTOMER OUTLINE DRAWING FOR REFERENCE ONLY

DRAWN: T.Holjun 25/5/14	TITLE:	SMA Male Conn. for RG401 Cable	 www.rf-connector-china.com
ENGINEER: C.Too 25/5/14	SMA Male Conn. for RG401 Cable		
APPROVED: W.Qiang 25/5/14	PART NO: TRL-SMAM-468914	SIZE: A4	SCALE: 1:1
TOLERANCES UNLESS OTHERWISE SPECIFIED			SHEET: 1/1
X 0.50			REV: A
XX 0.20			
ANGLES 30°			