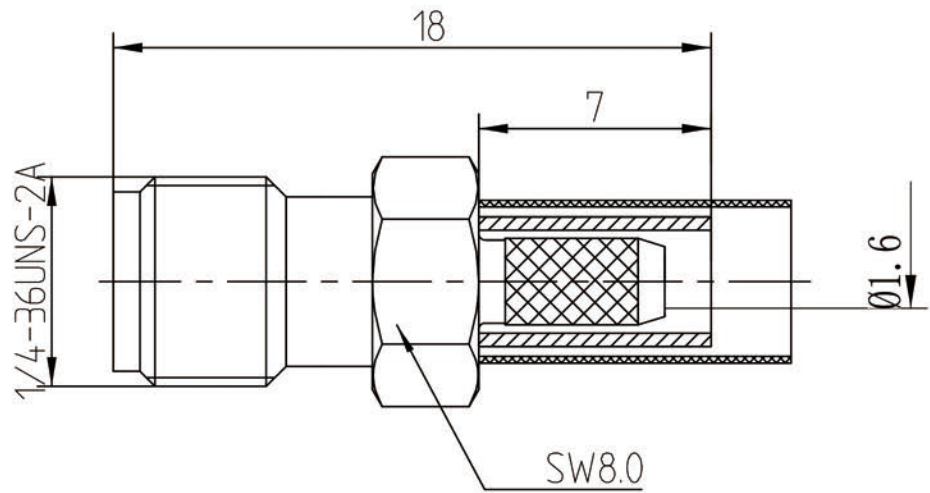


TRL120718

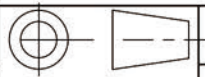


1 Electrical

- 1. Impedance: 50Ω
- 2. Frequency: DC~6GHz
- 3. Working voltage: $\leq 335V$
- 4. Insulation resistance: $\geq 5000M \Omega$
- 5. Dielectric strength: 1000V
- 6. Contact contact resistance $\leq 3M \Omega$
- 7. Outer contact resistance $\leq 2.5M \Omega$

2 Material&Finish

- 1. Inner Contact: Beryllium copper, gold plated
- 2. Outer Contact: Brass, gold plated
- 3. Insulators: Teflon



Scale

1:1

Name

Date

Designed

Tomson

18-Jul-12

Checked

Jason

18-Jul-12

Approved

Teresa

18-Jul-12

SMA-K3
SMA female connector
for RG316 cable

UNLESS OTHERWISE SPECIFIED
DIMENSIONS ARE mm, TOLERANCES ARE:
FRACTIONS DECIMALS ANGLES
.X± .15 ±1°
.XX± .05
.XXX±



www.rf-connector-china.com