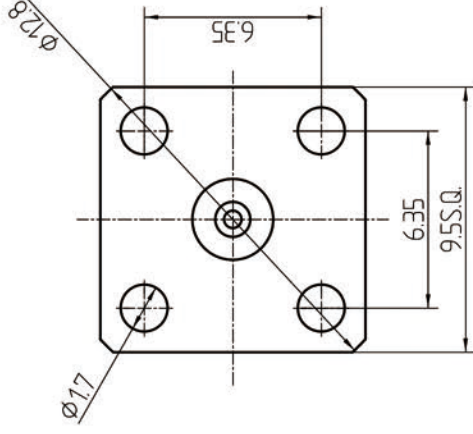
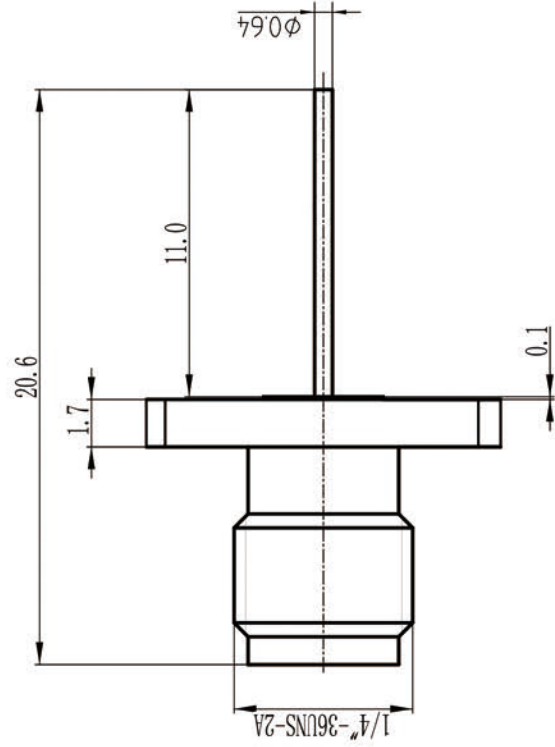


This document contains proprietary information and such information may not be disclosed to others for any purposes, not used for sales/marketing/procurement purposes without written permission

REV	DESCRIPTION OF REVISION	ECN NO.	BY	DATE	APPROVED
A	Initial Release		T. Shihua	29/8/16	29/8/16



技术要求:

- 1 电气性能
 - 1.1 特性阻抗: 50欧姆
 - 1.2 频率: DC-40GHZ
 - 1.3 驻波比: 1.20:1

- 2 材料及涂覆
 - 2.1 外壳: 不锈钢; 钝化
 - 2.2 绝缘介质: PEI
 - 2.3 内导体: 镀青铜, 镀金

Notes:

1. ALL SPECIFICATIONS ARE SUBJECT TO CHANGE NOTICE AT ANY TIME
2. CUSTOMER OUTLINE DRAWING FOR REFERENCE ONLY

DRAWN : T. Shihua 29/8/16

ENGINEER: C. Tao 29/8/16

APPROVED : W. Qiang 29/8/16

TOLEANCES UNLESS OTHERWISE SPECIFIED
 X ±0.50
 .X ±0.20
 .XX ±0.10
 ANGLES ±1°

TITLE:

RF Coaxial Connector

2.92mm female Flange Mount

PART NO: 2.92-KFD38



www.rf-connector-china.com



DIMENSION IN MILLIMETERS (mm)

SCALE: N/A
 SIZE: A4
 SUBJECT: 1/1
 RFI: A