

This document contains proprietary information and such information may not be disclosed to others for any purposes, not used for sales/marketing/procurement purposes without written permission

REV	DESCRIPTION OF REVISION	ECN NO.	BY	DATE	APPROVED
A	Initial Release	---	T.Shihua	21/03/17	21/03/17

1 Electrical

- 1.1 Impedance: 50Ω
- 1.2 Frequency: DC-50GHz
- 1.3 VSWR: 1.3:1

2 Mechanical&Environmental

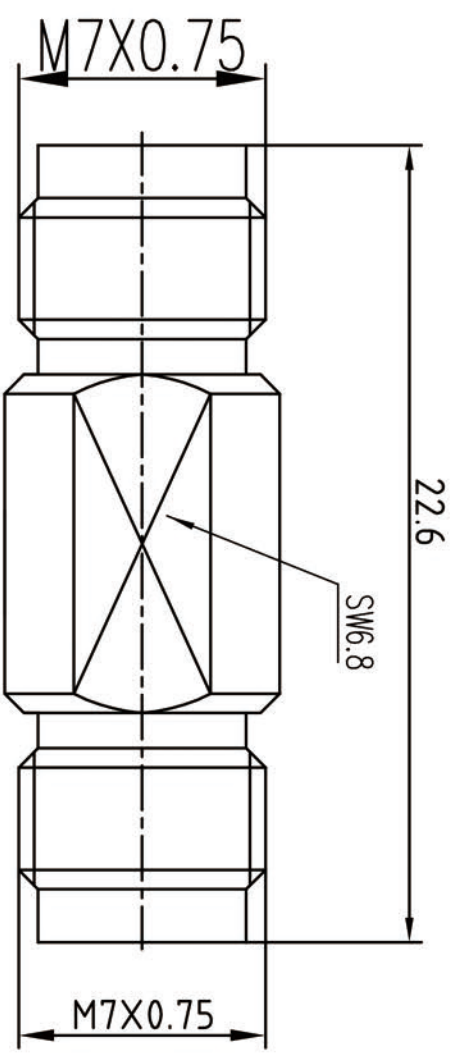
- 2.1 Temperature range -55°C ~+165°C
- 2.2 Durability(matings) >500
- 2.3 RoHs Compliant Yes

3 Material&Finish

- 3.1 Pin contact: Beryllium-Copper, gold plated
- 3.2 Body: Stainless Steel(SUS303), Passivated
- 3.3 Insulators: PEI

4 Interface Standards

- 4.1 2.4 IEEE STD 287-2007
- 4.2 1.85mm IEC-61169



Notes:

- 1. ALL SPECIFICATIONS ARE SUBJECT TO CHANGE NOTICE AT ANY TIME
- 2. CUSTOMER OUTLINE DRAWING FOR REFERENCE ONLY

DRAWN: T.Shihua 21/03/17	TITLE: Precision Adapter		www.rf-conector-china.com
ENGINEER: C.Too 21/03/17	2.4 Female to 1.85 Female		
APPROVED: W.Qiang 21/03/17		SIZE: A4	SCALE: N/A
TOLERANCES UNLESS OTHERWISE SPECIFIED		SHEET: 1/1	REV: A
X 0.1mm			
XX 0.05mm			
ANGLES 0°			
PART NO: 1.85/2.4-KKG			