

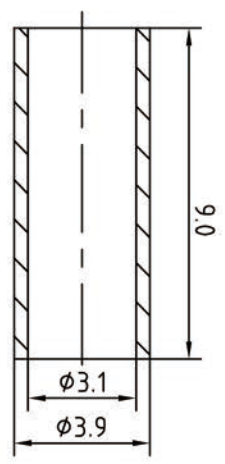
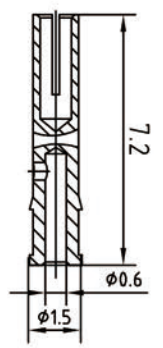
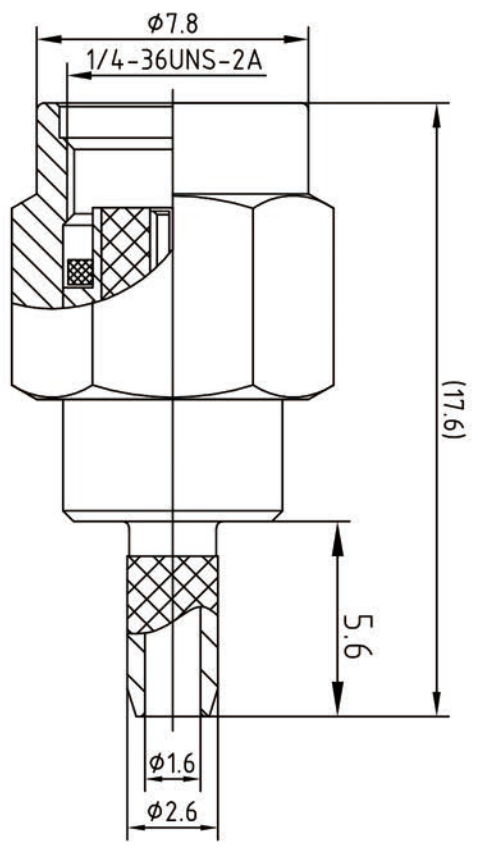
This document contains proprietary information and such information may not be disclosed to others for any purposes, not used for sales/marketing/procurement purposes without written permission

REV	DESCRIPTION OF REVISION	ECN NO.	BY	DATE	APPROVED
A	Initial Release		T.Holjun	23/5/14	23/5/14

- 1 Electrical**
- 1.1 Impedence: 50Ω
 - 1.2 Frequency: DC~6GHz
 - 1.3 Dielectric withstanding voltage: 1000V(volts RMS)
 - 1.4 Center contact resistance: ≤ 3MΩ
 - 1.5 Outer contact resistance: ≤ 2MΩ
 - 1.6 Insulation resistance: ≥ 5000MΩ

- 2 Environmental&Mechanical**
- 2.1 Temperature range: -40℃~+70℃
 - 2.2 RoHS Compliant
 - 2.3 Durability: >500 cycles

- 3 Materials&plating**
- 3.1 Body: Brass, gold plated
 - 3.2 Insulator: Teflon
 - 3.3 Contact Pin: Beryllium-copper, Gold plated
 - 3.4 Nut: Brass, gold plated
 - 3.5 Gasket: Silicon Rubber (red color)
 - 3.6 Ferrule: Copper, Nickel plated



Notes:

1. ALL SPECIFICATIONS ARE SUBJECT TO CHANGE NOTICE AT ANY TIME
2. CUSTOMER OUTLINE DRAWING FOR REFERENCE ONLY

DRAWN: T.Holjun 25/5/14		TITLE: RP SMA-K3B	
ENGINEER: C.Too 25/5/14		Reverse Polarity SMA Male Str. Comm. for RO174 Cable Crimp	
APPROVED: W.Qiang 25/5/14		PART NO: TRL-RPSMAM-49087	
TOLERANCES UNLESS OTHERWISE SPECIFIED		SIZE: A4	
X	±0.20	SCALE: 1:1	
XX	±0.10	SHEET: 1/1	
ANGLES 30°		REV: A	

TRL
www.trl-connector-china.com

DIMENSION IN MILLIMETERS (mm)