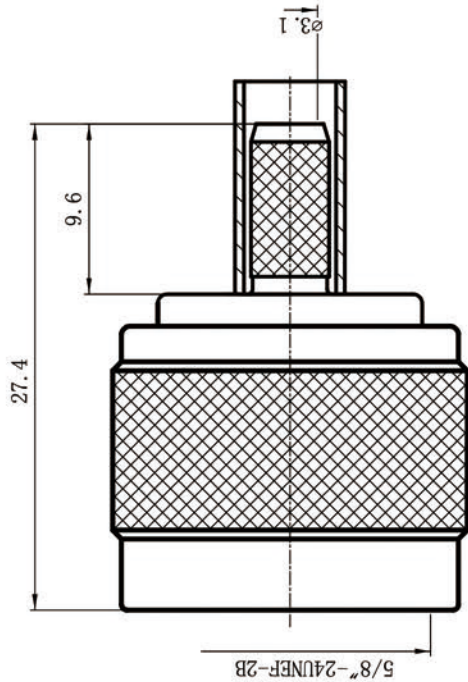
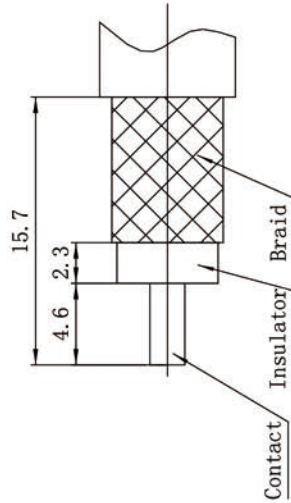


This document contains proprietary information and such information may not be disclosed to others for any purposes, not used for sales/marketing/procurement purposes without written permission



Recommended Cable Stripping Dimension



- 1 Electrical**
- 1.1 Impedance: 50 Ω
 - 1.2 Frequency: 0 ~ 6GHz
 - 1.3 VSWR: 1.30:1
- 2 Environmental & Mechanical**
- 2.1 Temperature range: -40°C ~ 85°C
 - 2.2 RoHS Compliant
 - 2.3 Durability: >500 cycles

- 3 Materials & plating**
- 3.1 Body: Brass, nickel plated
 - 3.2 Insulator: Teflon
 - 3.3 Contact Pin: Brass, Gold plated
 - 3.4 Housing: Brass, nickel plated
 - 3.5 Coupling nut: Brass, nickel plated

REV: A	DESCRIPTION OF REVISION: Initial Release	ECN NO.:	BY: T. Shihua	DATE: 15/02/08	APPROVED: 15/02/08
<p>TITLE:</p> <p>RF Coaxial Connector</p> <p>N male Conn. For LMR200 cable</p>					
<p>DRAWN: T. Shihua 15/02/08</p> <p>ENGINEER: C. Tuo 15/02/08</p> <p>APPROVED: W. Qiang 15/02/08</p> <p>TOLEANCES UNLESS OTHERWISE SPECIFIED</p> <p>X +0.50</p> <p>X +0.20</p> <p>XX +0.10</p> <p>ANGLES ±1°</p>					
<p>PART NO: N-J200VA</p> <p>SCALE: 1:1</p> <p>SIZE: A4</p> <p>SHEET: 1/1</p> <p>REV: A</p>					

Notes:

- 1. ALL SPECIFICATIONS ARE SUBJECT TO CHANGE NOTICE AT ANY TIME
- 2. CUSTOMER OUTLINE DRAWING FOR REFERENCE ONLY



www.rf-connector-china.com



DIMENSION IN MILLIMETERS (mm)