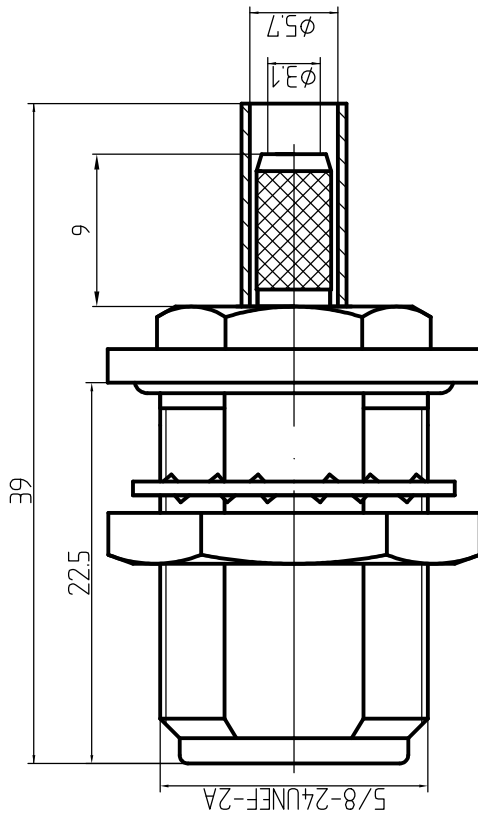
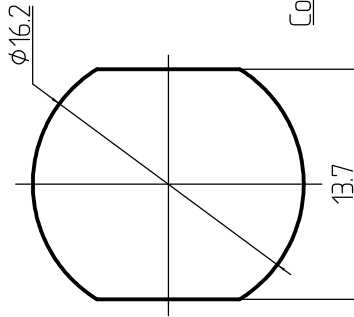


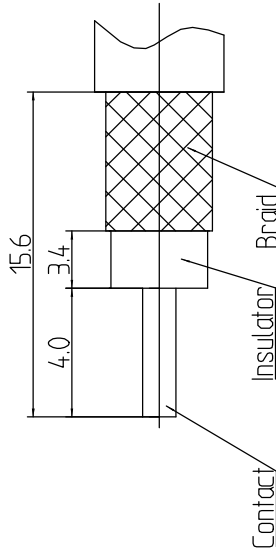
This document contains proprietary information and such information may not be disclosed to others for any purposes, not used for sales/marketing/procurement purposes without written permission



Recommended Mounting Hole



Recommended Cable Stripping Dimension



- 1 Electrical
 - 1.1 Impedence: 50 Ω
 - 1.2 Frequency: DC ~6GHz
 - 1.2 Dielectric withstanding voltage: 1500V(volts RMS)
 - 1.3 Working Voltage: 1000V rms
 - 1.5 Insulation resistance: $>5000M\Omega$
 - 1.6 VSWR: 1.30:1
- 2 Environmental & Mechanical
 - 2.1 Temperature range: $-40^{\circ}\text{C} \sim 125^{\circ}\text{C}$
 - 2.2 RoHS Compliant
 - 2.3 Durability: >500 cycles

3 Materials & plating

- 3.1 Body: Brass, nickel plated
- 3.2 Insulator: Teflon
- 3.3 Contact Pin: Phosphor bronze, Gold plated
- 3.4 Housing: Brass, nickel plated
- 3.5 Nut: Brass, nickel plated
- 3.6 Washer: Brass, nickel plated

DRAWN: Thoyun 18/05/08

ENGINEER: C.Tao 18/05/08

APPROVED: W.Qiang 18/05/08

TOLERANCES UNLESS OTHERWISE SPECIFIED

X ± 0.20

XX ± 0.10

ANGLES $\pm 1^{\circ}$

TITLE:

RF Coaxial Connector

N female B/H Conn. For RG142/RG223/RG58/LMR195 cable

PART NO: N-KY6DY



www.rf-connector-china.com



DIMENSION IN MILLIMETERS (mm)

SIZE: A4

SCALE: 1:1

SHEET: 1/1

REV: A

Notes:

1. ALL SPECIFICATIONS ARE SUBJECT TO CHANGE NOTICE AT ANY TIME

2. CUSTOMER OUTLINE DRAWING FOR REFERENCE ONLY