

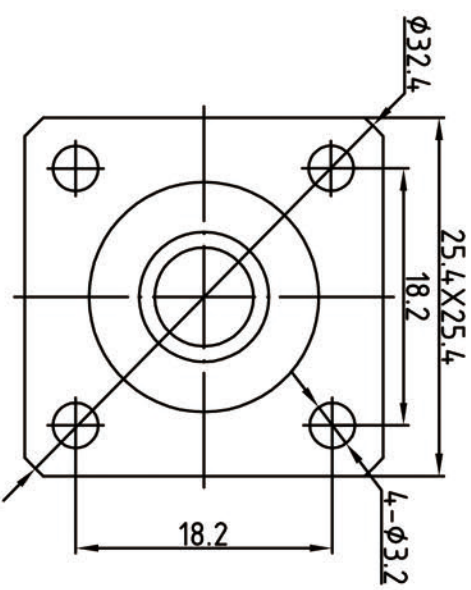
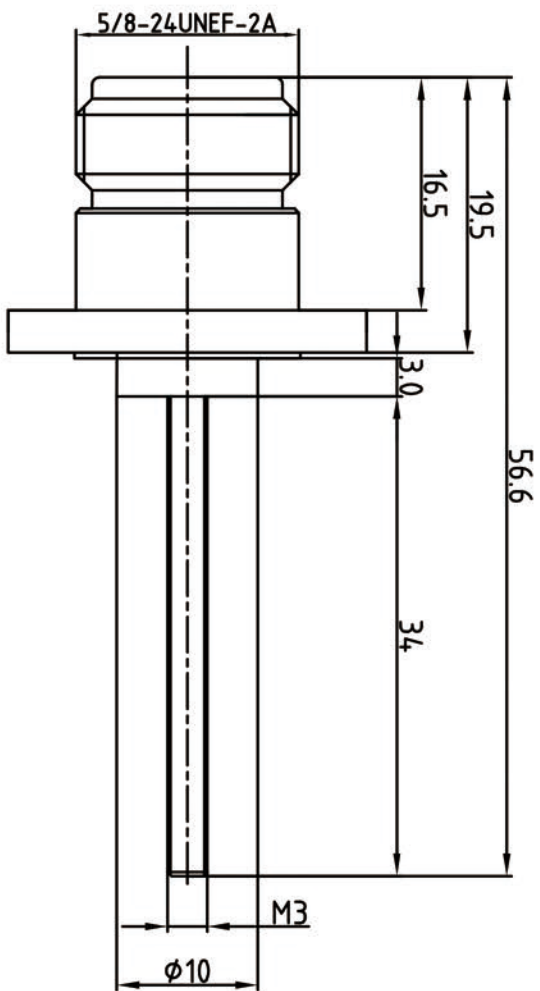
This document contains proprietary information and such information may not be disclosed to others for any purposes, not used for sales/marketing/procurement purposes without written permission



REV	DESCRIPTION OF REVISION	ECN NO.	BY	DATE	APPROVED
A	Initial Release		T.Shihua	18/7/13	18/7/13

- 1 Electrical**
- 1.1 Impedance 50Ω
  - 1.2 Frequency 0~11GHz
  - 1.3 Dielectric withstanding voltage 1500V(volts RMS)
  - 1.4 Center contact resistance ≤ 1MΩ
  - 1.5 Outer contact resistance ≤ 0.2MΩ
  - 1.6 Insulation resistance: ≥5000MΩ

- 2 Environmental&Mechanical**
- 2.1 Temperature range -55℃~155℃
  - 2.2 RoHS Compliant
  - 2.3 Durability >500 cycles

- 3 Materials&plating**
- 3.1 Body: Brass, nickel plated
  - 3.2 Insulator: Teflon
  - 3.3 Contact Pin: Bronze, Gold plated



DRAWN: T.Shihua 18/07/13	TITLE: RF Coaxial Connector	 www.rf-connector-china.com
ENGINEER: C.Too 18/07/13		
APPROVED: W.Qiang 18/07/13	N female Flange Conn. Terminal	 DIMENSION IN MILLIMETERS (mm)
TOLERANCES UNLESS OTHERWISE SPECIFIED X 0.50 XX 0.20 ANGLES 30°	PART NO: N-KFD118	

Notes:  
 1. ALL SPECIFICATIONS ARE SUBJECT TO CHANGE NOTICE AT ANY TIME  
 2. CUSTOMER OUTLINE DRAWING FOR REFERENCE ONLY