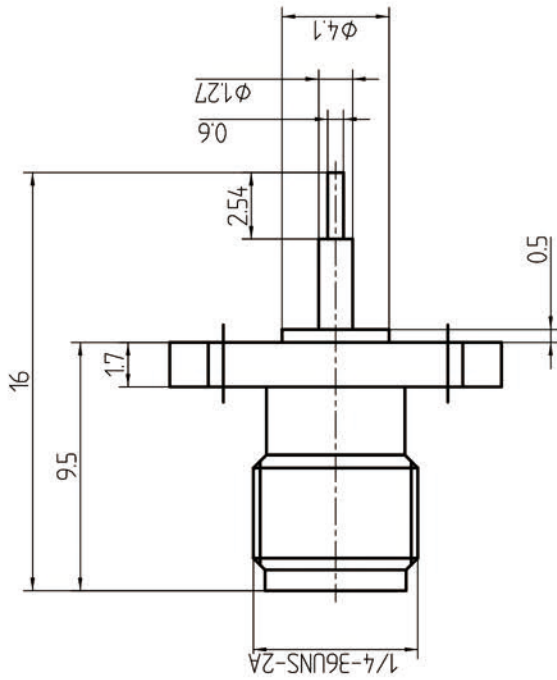


This document contains proprietary information and such information may not be disclosed to others for any purposes, not used for sales/marketing/procurement purposes without written permission

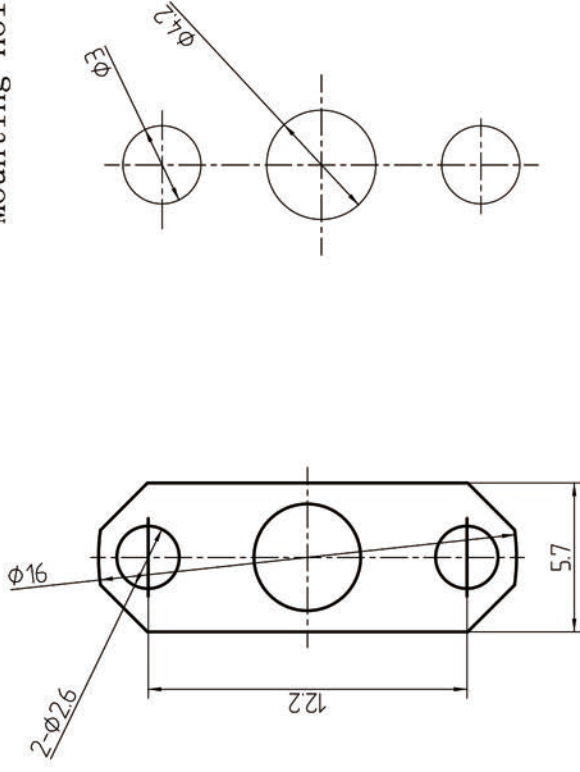


- 1 Electrical
 - 1.1 Impedance 50 Ω
 - 1.2 Frequency DC ~ 6GHz
 - 1.2 Dielectric withstanding voltage 1000V (volts RMS)
 - 1.3 Center contact resistance ≤ 3MΩ
 - 1.4 Outer contact resistance ≤ 2MΩ
 - 1.5 Insulation resistance ≥ 5000MΩ
 - 1.6 VSWR 1.2max

- 2 Environmental & Mechanical
 - 2.1 Temperature range -45°C ~ 85°C
 - 2.2 RoHS Compliant
 - 2.3 Durability > 500 cycles

- 3 Materials & Plating
 - 3.1 Body: Brass, Gold plated
 - 3.2 Insulator: Teflon
 - 3.3 Contact Pin: Beryllium-copper, Gold plated

Mounting Hole



REV	DESCRIPTION OF REVISION	ECN NO.	BY	DATE	APPROVED
A	Initial Release		T. Haiyun	15/09/17	15/09/17

Notes:

1. ALL SPECIFICATIONS ARE SUBJECT TO CHANGE NOTICE AT ANY TIME
2. CUSTOMER OUTLINE DRAWING FOR REFERENCE ONLY

DRAWN : T. Haiyun 15/09/17	TITLE: RF Coaxial Connector
ENGINEER: C. Tao 15/09/17	SMA Female Flange Conn. Terminal
APPROVED : W. Qiang 12/07/08	
TOLERANCES UNLESS OTHERWISE SPECIFIED	
X +0.05	
XX +0.20	
ANGLES ±1°	

		www.rf-connector-china.com	
		DIMENSION IN MILLIMETERS (mm)	
SIZE: A4	SCALE: N/A	SHEET: 1/1	REP: A
PART NO: SMA-KFD1032			