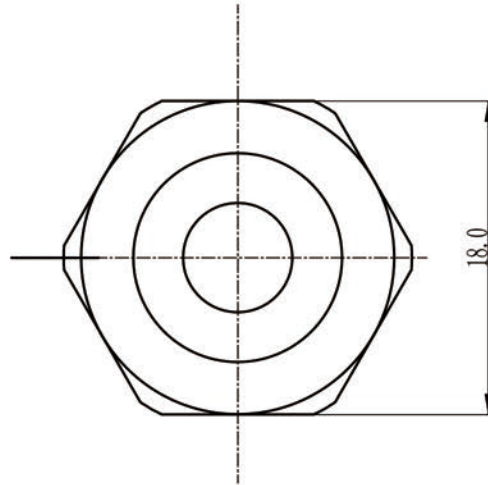
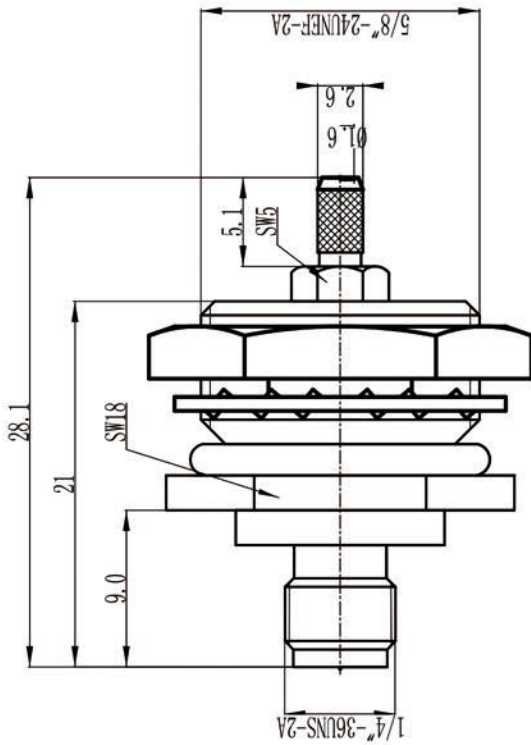


This document contains proprietary information and such information may not be disclosed to others for any purposes, not used for sales/marketing/procurement purposes without written permission



- 1 Electrical**
- 1.1 Impedance 50 Ω
  - 1.2 Frequency 0~6GHz
  - 1.2 Dielectric withstanding voltage 1000V(volts RMS)
  - 1.3 Center contact resistance ≤ 3MΩ
  - 1.4 Outer contact resistance ≤ 2MΩ
  - 1.5 Insulation resistance: ≥5000MΩ

- 2 Environmental&Mechanical**
- 2.1 Temperature range -45℃~85℃
  - 2.2 RoHS Compliant
  - 2.3 Durability >500 cycles

- 3 Materials&plating**
- 3.1 Body: Brass; Nickel, plated
  - 3.2 Insulator: Teflon
  - 3.3 Contact Pin: Brass; Gold,plated

REV	DESCRIPTION OF REVISION	ECN NO.	BY	DATE	APPROVED
A	Initial Release		T. Haiyun	24/7/13	24/7/13

**Notes:**

- 1. ALL SPECIFICATIONS ARE SUBJECT TO CHANGE NOTICE AT ANY TIME
- 2. CUSTOMER OUTLINE DRAWING FOR REFERENCE ONLY

DRAWN :	T. Haiyun 24/07/13
ENGINEER:	C. Tao 24/07/13
APPROVED :	W. Qiang 24/07/13
TOLERANCES UNLESS OTHERWISE SPECIFIED	
X	+0.50
X	+0.20
XX	+0.10
ANGLES	*°

TITLE:		RF Coaxial Connector	
R/P	SMA Female	B/H	Conn. for
RG316 Cable			
PART NO:		RPSMA-JY3CA	
SCALE:	N/A	SHEET:	1/1
SIZE:	A4	REP:	A
DIMENSION IN MILLIMETERS (mm)			
www.rf-connector-china.com			