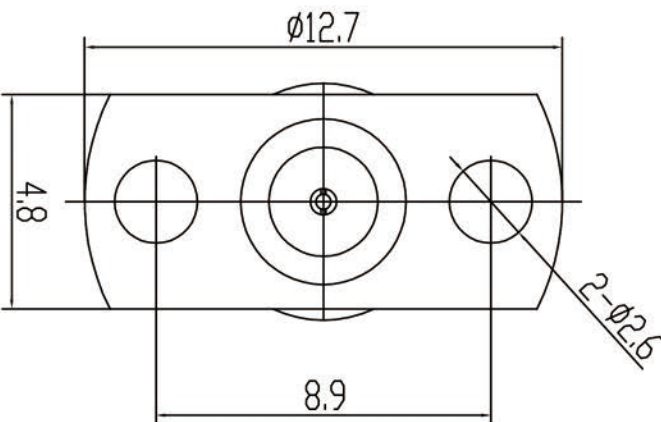
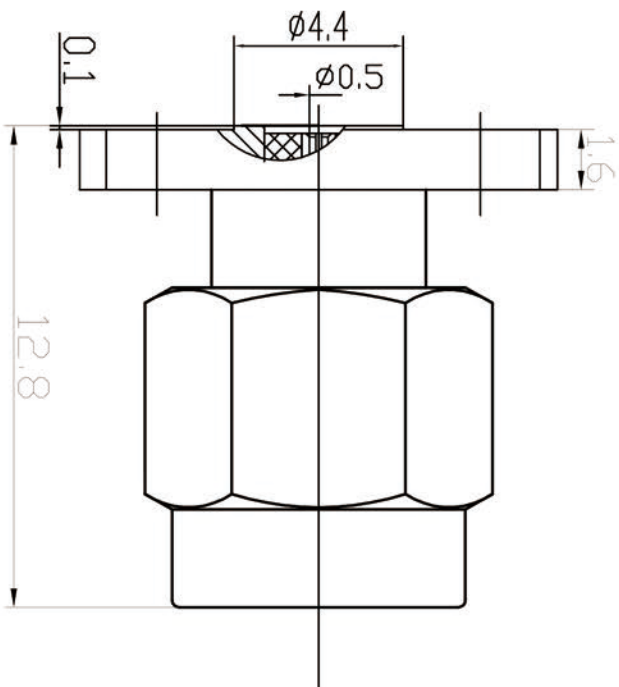


This document contains proprietary information and such information may not be disclosed to others for any purpose without written permission.



- | | | |
|-----|--------|-----------|
| 1 | 电气性能 | |
| 1.1 | 特性阻抗 | 50 Ω |
| 1.2 | 频率 | DC~18GHz |
| 1.3 | 介质耐压 | 1000V |
| 1.4 | 中心导体电阻 | ≤ 3M Ω |
| 1.5 | 外导体电阻 | ≤ 2M Ω |
| 1.6 | 绝缘电阻 | ≥5000M Ω |
| 1.7 | VSWR | ≤1.15@10G |

- | | | |
|-----|-------|---------|
| 2 | 材料及涂覆 | |
| 2.1 | 外壳: | 不锈钢; 钝化 |
| 2.2 | 绝缘子: | teflon |
| 2.3 | 内导体: | 镀青铜; 镀金 |

Notes:

1. ALL SPECIFICATIONS ARE SUBJECT TO CHANGE NOTICE AT ANY TIME
2. CUSTOMER OUTLINE DRAWING FOR REFERENCE ONLY

REV	DESCRIPTION OF REVISION	EON NO.	BY	DATE	APPROVED
1	Initial Release		T.Halyun	04/02/17	04/02/17

DRAWN: T.Halyun 04/02/17		TITLE: RF Coaxial Connector	
ENGINEER: C.Tao 04/02/17		SMA Male Flange Connector Mount	
APPROVED: W.Diang 04/02/17		PART NO: SMA-JF4A2G	
TOLERANCES UNLESS OTHERWISE SPECIFIED		SIZE: A4	
X	±0.050	SCALE: N/A	
XX	±0.020	SHEET: 1/1	
ANGLES	±1°	REV: A	



www.rf-connector-china.com

DIMENSION IN MILLIMETERS (mm)