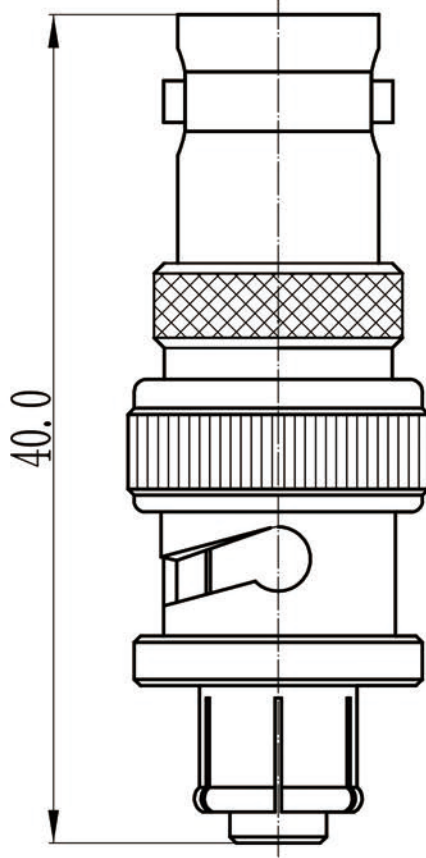


This document contains proprietary information and such information may not be disclosed to others for any purposes, not used for sales/marketing/procurement purposes without written permission

- 1 Electrical
  - 1.1 Impedence 50  $\Omega$
  - 1.2 Frequency DC-300MHz
  - 1.3 Dielectric withstanding voltage 5KV rms,
  - 1.4 Working voltage( at sea level) 1.6KV rms,
  - 1.5 Insulation resistance  $\geq 5000 \cdot 10^3 M\Omega$
  - 1.3 Center contact resistance  $\leq 2M\Omega$
  - 1.4 Outer contact resistance  $\leq 1M\Omega$
  - 1.5 Corona extinction voltage  $\geq 300V$  rms (at 21000 m)
  - 1.9 Current rating continuous  $\leq 10A$
- 2 Environmental&Mechanical
  - 2.1 Temperature range  $-55^{\circ}C \sim 155^{\circ}C$
  - 2.2 RoHS Compliant
  - 2.3 Durability  $>500$  cycles
- 3 Materials&Finish
  - 3.1 Body: Brass, Nickel plated
  - 3.2 Insulator: Teflon
  - 3.3 Contact Pin: Phosphor bronze, gold plated
  - 3.4 Washer: Beryllium, nickel plated
  - 3.5 Nut: copper, nickel plated



**Notes:**

- 1. ALL SPECIFICATIONS ARE SUBJECT TO CHANGE NOTICE AT ANY TIME
- 2. CUSTOMER OUTLINE DRAWING FOR REFERENCE ONLY

REV	DESCRIPTION OF REVISION	ECN NO.	BY	DATE	APPROVED
A	Initial Release		T. Shihua	28/02/17	28/02/17

DRAWN: T. Shihua 28/02/17	TITLE: RF Adaptor		www.rf-connector-china.com	
ENGINEER: C. Tao 28/02/17	SHV Female to MHV Female			
APPROVED: W. Qiang 28/02/17	DIMENSION IN MILLIMETERS (mm)			
TOLERANCES UNLESS OTHERWISE SPECIFIED	SCALE: N/A			
X ±0.50	SIZE: A4			
X ±0.20	SHEET: 1/1			
XX ±0.10	REV: A			
ANGLES ±1°	PART NO: SHV/MHV-KK			