

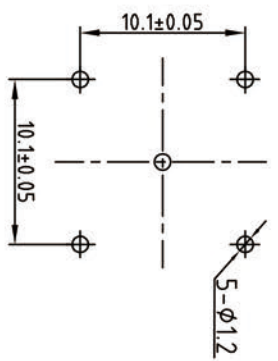
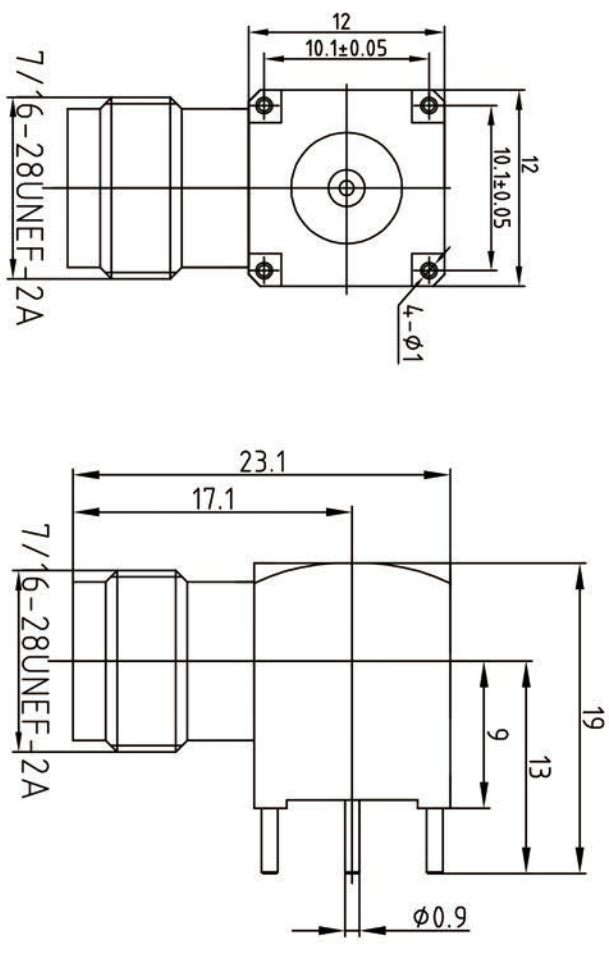
This document contains proprietary information and such information may not be disclosed to others for any purposes, not used for sales/marketing/procurement purposes without written permission

REV	DESCRIPTION OF REVISION	ECN NO.	BY	DATE	APPROVED
A	Initial Release		T.Shihua	21/11/14	21/11/14

- 1 Electrical**
- 1.1 Impedance: 50Ω
 - 1.2 Frequency: 0~6GHz
 - 1.3 Dielectric withstanding voltage: 1500V(volts RMS)
 - 1.4 Center contact resistance: ≤ 1.5MΩ
 - 1.5 Outer contact resistance: ≤ 0.2MΩ
 - 1.6 Insulation resistance: ≥ 5000MΩ

- 2 Environmental&Mechanical**
- 2.1 Temperature range: -55℃~155℃
 - 2.2 RoHS Compliant
 - 2.3 Durability: >500 cycles

- 3 Materials&plating**
- 3.1 Body: Brass, nickel plating
 - 3.2 Insulator: Teflon
 - 3.3 Contact Pin: Phosphor bronze, gold plating
 - 3.6 Ferrule: copper, nickel plating



Notes:

1. ALL SPECIFICATIONS ARE SUBJECT TO CHANGE NOTICE AT ANY TIME
2. CUSTOMER OUTLINE DRAWING FOR REFERENCE ONLY

DRAWN: T.Shihua 21/11/14		TITLE: TNC-KWHD	
ENGINEER: C.Too 21/11/14		TNC female R/A Conn. for PCB	
APPROVED: W.Qiang 21/11/14		PART NO: TRL-TNCF-991026	
TOLERANCES UNLESS OTHERWISE SPECIFIED		SIZE: A4	
X	±0.50	SCALE: DIMENSION IN MILLIMETERS (mm)	
.XX	±0.20	SHEET: 1/1	
ANGLES	30°	REV: A	



www.qrl-connector-china.com