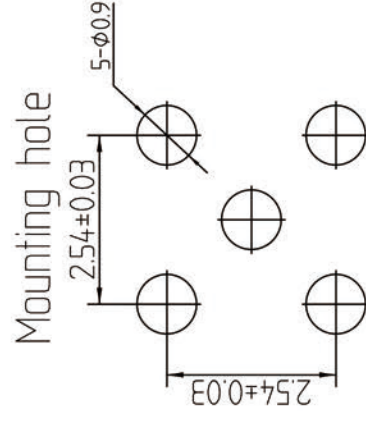
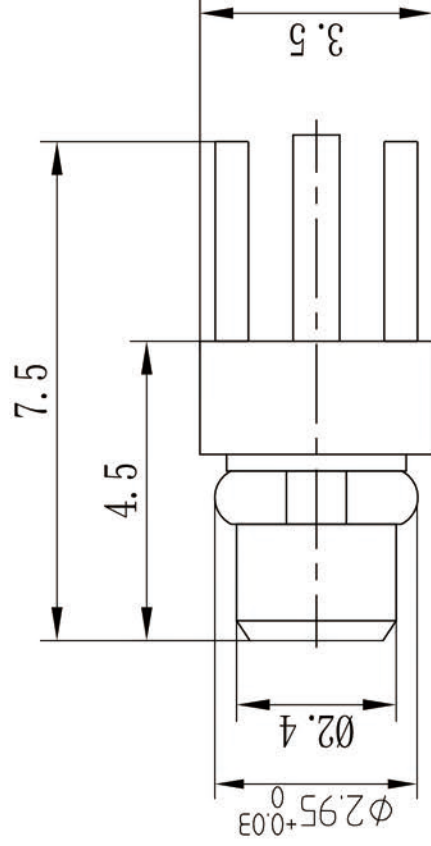


TRL11003F



Electrical characteristics

1. Impedance: 50Ω
2. Frequency: 0-6GHz
3. VSWR ≤ 1.25
3. Insulation resistance: $\geq 10000M\Omega$
4. Dielectric withstanding voltage: 500V
5. Contact resistance

$\leq 10M\Omega$

Center contact

Outer contact

Material & Finish

Inner Contact: brass, gold plated

Outer Contact: brass, gold plated

Insulators: PTFE



Scale

1:1

Name Date

Tomson Tang 11-Jul-09

Jason Cai 11-Jul-09

Magi Wang 11-Jul-09

UNLESS OTHERWISE SPECIFIED
DIMENSIONS ARE mm, TOLERANCES ARE:
FRACTIONS DECIMALS ANGLES
.X* .15 ±1°
.XX* .05
XXX*

MMCX-JHD

RF Coaxial Connector



www.rf-connector-china.com