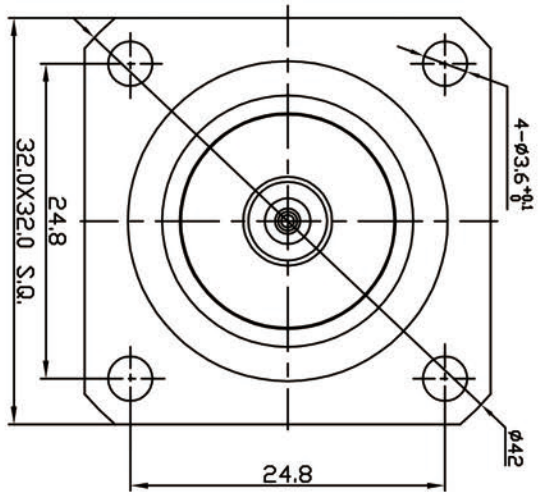
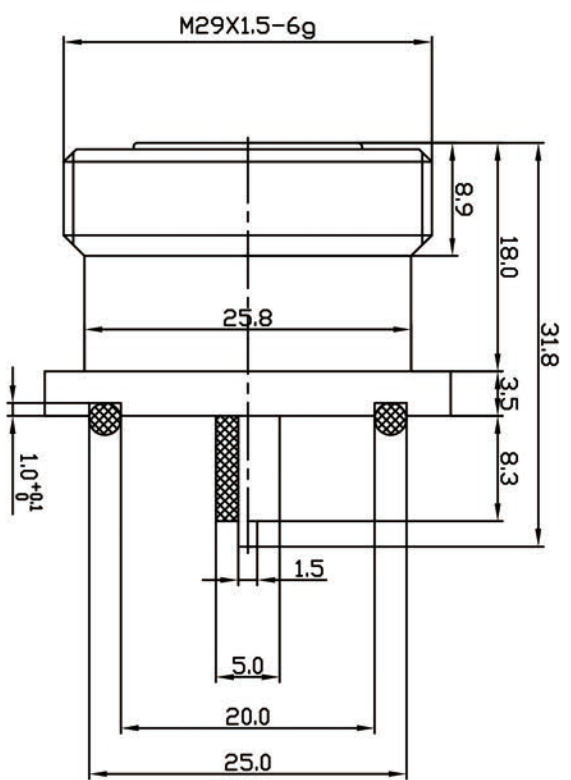


This document contains proprietary information and such information may not be disclosed to others for any purposes, not used for sales/marketing/procurement purposes without written permission

REV	DESCRIPTION OF REVISION	ECN NO.	BY	DATE	APPROVED
A	Initial Release		T.Holyun	17/02/16	17/02/16



- 1 Electrical
  - 1.1 Impedance 50 Ω
  - 1.2 Frequency 0~3GHz
  - 1.2 Dielectric withstanding voltage 4000V(volts RMS)
  - 1.3 Center contact resistance ≤ 0.4MΩ
  - 1.4 Outer contact resistance ≤ 1.5MΩ
  - 1.5 Insulation resistance: ≥10000MΩ
  - 1.6 VSWR 1.15:1

- 2 Environmental&Mechanical
  - 2.1 Temperature range -40℃~85℃
  - 2.2 RoHS Compliant
  - 2.3 Durability >500 cycles
- 3 Materials&plating
  - 3.1 Body: Brass, SUCCO-Plating
  - 3.2 Insulator: Teflon
  - 3.3 Contact Pin: Phosphor Bronze, Silver plating
  - 3.4 Gasket: Silicon Rubber

Notes:  
 1.ALL SPECIFICATIONS ARE SUBJECT TO CHANGE NOTICE AT ANY TIME  
 2.CUSTOMER OUTLINE DRAWING FOR REFERENCE ONLY

DRAWN: T.Holyun 17/02/16	TITLE: RF Coaxial Connector	 www.rfconnector-china.com
ENGINEER: C.Tao 17/02/16	L29 Female Flange conn. Terminal	
APPROVED: W.Diang 17/02/16	PART NO: L29-KFD113	DIMENSION IN MILLIMETERS (mm) SIZE: A4 SCALE: N/A SHEET: 1/1 REV: A
TOLERANCES UNLESS OTHERWISE SPECIFIED X ±0.20 XX ±0.10 ANGLES 30°		