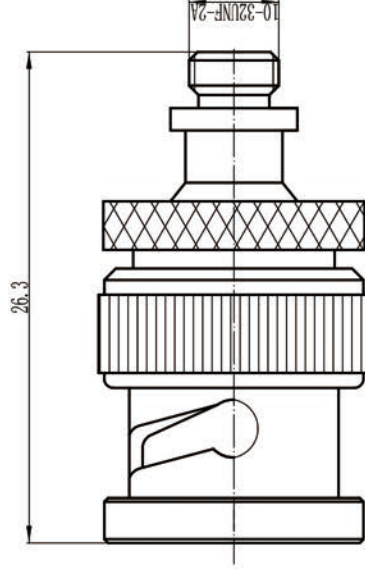


This document contains proprietary information and such information may not be disclosed to others for any purposes, not used for sales/marketing/procurement purposes without written permission

- 1 Electrical
 - 1.1 Impedence 50 Ω
 - 1.2 Frequency DC-4GHz
 - 1.3 Dielectric withstanding voltage 1000V(volts RMS)
 - 1.4 Center contact resistance $\leq 3M\Omega$
 - 1.5 Outer contact resistance $\leq 2M\Omega$
 - 1.6 Insulation resistance: $\geq 5000M\Omega$
- 2 Environmentid.&Mechanical
 - 2.1 Temperature range -45 $^{\circ}$ C~85 $^{\circ}$ C
 - 2.2 RoHS Compliant
 - 2.3 Durability >500 cycles
- 3 Materials&plating
 - 3.1 Body: Brass, Nickel Plated
 - 3.2 Insulator: Teflon
 - 3.3 Contact Pin: Beryllium-copper, Gold plated



REV	DESCRIPTION OF REVISION	ECN NO.	BY	DATE	APPROVED
A	Initial Release		T. Shihua	09/07/15	09/07/15

Notes:

- 1. ALL SPECIFICATIONS ARE SUBJECT TO CHANGE NOTICE AT ANY TIME
- 2. CUSTOMER OUTLINE DRAWING FOR REFERENCE ONLY

DRAWN : T. Shihua 09/07/15	TITLE: RF Adaptor
ENGINEER: C. Tao 09/07/15	BNC male to SSMAT Female adaptor
APPROVED : W. Qiang 09/07/15	
TOLERANCES UNLESS OTHERWISE SPECIFIED	
X +0.50	
X +0.20	
XX +0.10	
ANGLES $\pm 1^{\circ}$	

		www.rf-connector-china.com	
		DIMENSION IN MILLIMETERS (mm)	
SIZE: A4	SCALE: N/A	SHEET: 1/1	TOT: A