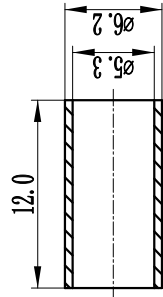
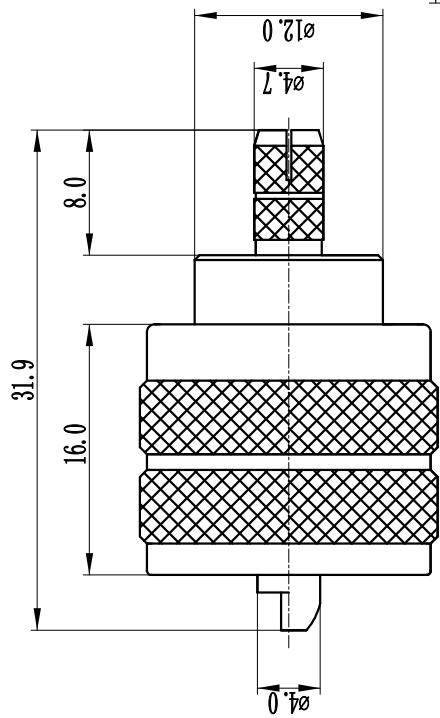
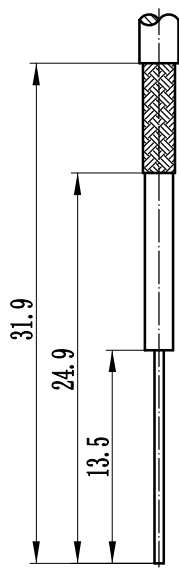


This document contains proprietary information and such information may not be disclosed to others for any purposes, not used for sales/marketing/procurement purposes without written permission



Recommended Cable Stripping Dimension



- 1 Electrical
 - 1.1 Frequency: 0~300MHz
 - 1.2 Working voltage: ≤750V
 - 1.3 Insulation resistance: ≥5000MΩ
 - 1.4 Dielectric strength: 2000V
 - 1.5 Center Contact resistance: ≤ 5MΩ
 - 1.6 Outer Contact resistance: ≤ 5MΩ
- 2 Environmental&Mechanical
 - 2.1 Temperature range: -45℃~125℃
 - 2.2 RoHS Compliant: Yes
 - 2.3 Durability: >500 cycles
- 2 Material&Finish
 - 2.1 Inner Contact: Brass, Silver plated
 - 2.2 Outer Contact: Brass, Nickel plated
 - 2.3 Insulators: Teflon

- Notes:
1. ALL SPECIFICATIONS ARE SUBJECT TO CHANGE NOTICE AT ANY TIME
 2. CUSTOMER OUTLINE DRAWING FOR REFERENCE ONLY

DRAWN: T. Shihua 13/05/15 ENGINEER: C. Tao 13/05/15 APPROVED: W. Qiang 13/05/15 TOLERANCES UNLESS OTHERWISE SPECIFIED X +0.50 XX +0.10 ANGLES ±1°	TITLE: RF Coaxial Connector UHF male Conn. For RG58 Cable	
DIMENSION IN MILLIMETERS (mm)	DIMENSION IN MILLIMETERS (mm)	www.rf-connector.china.com
PART NO: UHF-J5Y-E	SIZE: A4 SCALE: N/A SHEET: 1/1 REV: A	DIMENSION IN MILLIMETERS (mm)