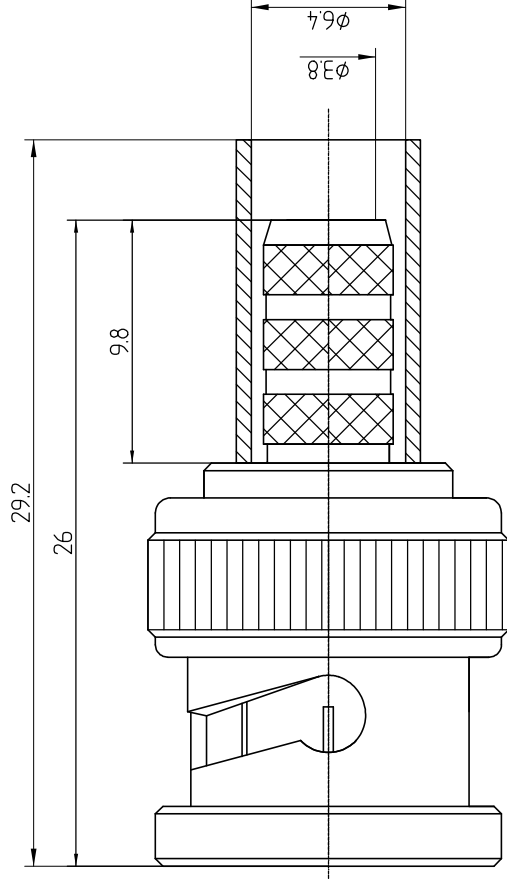


This document contains proprietary information and such information may not be disclosed to others for any purposes, not used for sales/marketing/procurement purposes without written permission

- 1 Electrical
  - 1.1 Frequency: DC-2GHz
  - 1.2 Impedance:  $75 \Omega$
  - 1.3 Working voltage:  $\leq 500V$
  - 1.4 Insulation resistance:  $\geq 5000M \Omega$
  - 1.5 Dielectric withstanding voltage:  $1500V$
  - 1.6 Center contact resistance  $\leq 15M \Omega$
  - 1.7 Outer contact resistance  $\leq 1M \Omega$
- 2 Environmental & Mechanical
  - 2.1 Temperature range  $-40^{\circ}C \sim +70^{\circ}C$
  - 2.2 RoHS Compliant
  - 2.3 Durability  $> 500$  cycles
- 3 Material & Finish
  - 3.1 Inner Contact: brass, gold plated
  - 3.2 Outer Contact: Brass, nickel plated
  - 3.3 Insulators: Teflon



REV	DESCRIPTION OF REVISION	ECN NO.	BY	DATE	APPROVED
A	Initial Release		T.Hayun	17/03/15	17/03/15

DRAWN: T.Hayun 17/03/15	TITLE:	RF Coaxial Connector	SIZE: A4	SCALE: N/A	SHEET: 1/1	REV: A
ENGINEER: C.Tao 17/03/15	BNC male Conn. for RG59 Cable		DIMENSION IN MILLIMETERS (mm)			
APPROVED: W.Qiang 17/03/15	Cr:Imp		www.rfconnector.china.com			
TOLERANCES UNLESS OTHERWISE SPECIFIED		PART NO: BNC-75J6Y				
X	+0.50					
XX	+0.10					
ANGLES		±1°				

Notes:

1. ALL SPECIFICATIONS ARE SUBJECT TO CHANGE NOTICE AT ANY TIME
2. CUSTOMER OUTLINE DRAWING FOR REFERENCE ONLY