

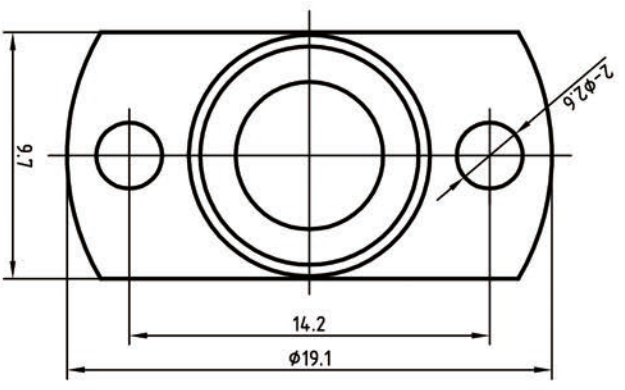
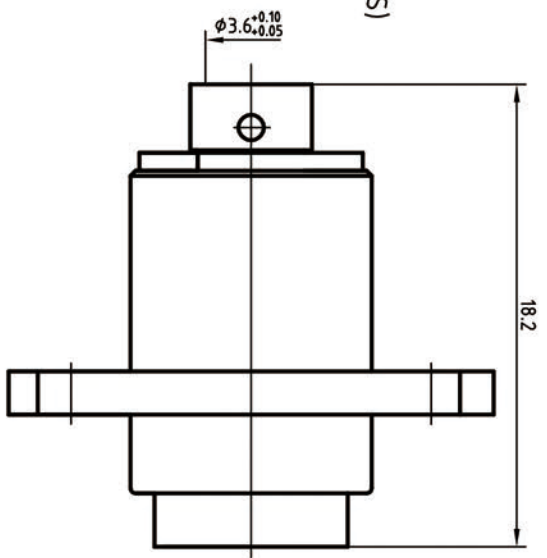
This document contains proprietary information and such information may not be disclosed to others for any purposes, not used for sales/marketing/procurement purposes without written permission

REV	DESCRIPTION OF REVISION	ECN NO.	BY	DATE	APPROVED
A	Initial Release		T.Shihua	07/09/13	07/09/13

- 1 Electrical**
- 1.1 Impedance: 50 Ω
  - 1.2 Frequency range: DC-18GHz
  - 1.3 Working voltage: ≤250V
  - 1.4 Dielectric withstanding voltage: 750V(volts RMS)
  - 1.5 Insulation resistance: ≥5000MΩ
  - 1.6 Center contact resistance: ≤3MΩ
  - 1.7 Outer contact resistance: ≤2MΩ

- 2 Environmental&Mechanical**
- 2.1 Temperature range: -40℃~85℃
  - 2.2 RoHs Compliant
  - 2.3 Durability: 500 mating cycles

- 3 Materials&Finish**
- 3.1 Body: Brass, gold plated
  - 3.2 Insulator: Teflon
  - 3.3 Contact Pin: Brass, Gold plated
  - 3.4 Hex nut: Brass, gold plated
  - 3.5 Gasket: Silicon Rubber
  - 3.6 Washer: Phosphor bronze, gold plated



**Notes:**

- 1. ALL SPECIFICATIONS ARE SUBJECT TO CHANGE NOTICE AT ANY TIME
- 2. CUSTOMER OUTLINE DRAWING FOR REFERENCE ONLY

DRAWN: T.Shihua 07/09/13 ENGINEER: C.Too 07/09/13 APPROVED: W.Qiang 07/09/13 TOLERANCES UNLESS OTHERWISE SPECIFIED X .45.0 XX .45.0 ANGLES 45°	<b>TITLE:</b> RF Coaxial Connector BMA Female Flange Conn. For .141 cable PART NO: BMA-KFB3
 www.rf-connector-china.com	
SIZE: A4 SCALE: N/A SHEET: 1/1 REV: A	DIMENSION IN MILLIMETERS (mm)