

This document contains proprietary information and such information may not be disclosed to others for any purposes, not used for sales/marketing/procurement purposes without written permission

REV	DESCRIPTION OF REVISION	ECN NO.	BY	DATE	APPROVED
A	Initial Release	—	T.Haiyun	17/06/16	17/06/16

1 Electrical

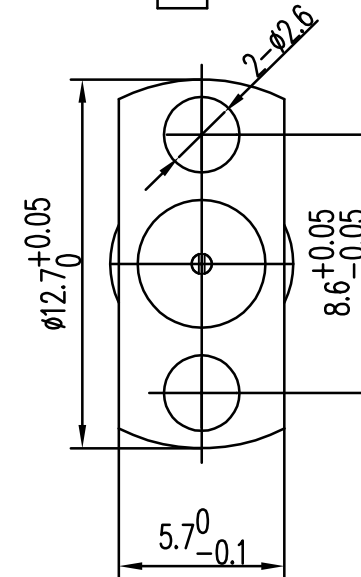
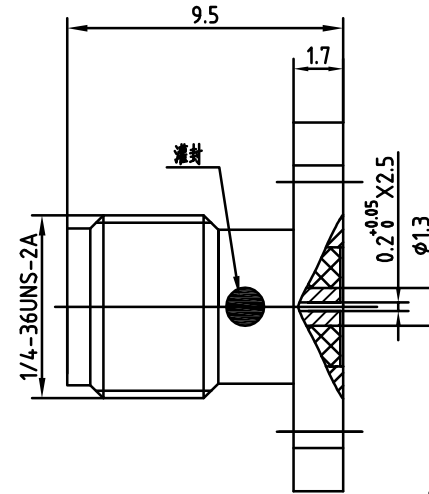
1.1 Impedence	50Ω
1.2 Frequency	DC~18GHz
1.3 Dielectric withstanding voltage	1000V(volts RMS)
1.4 Center contact resistance	≤ 3MΩ
1.5 Outer contact resistance	≤ 2MΩ
1.6 Insulation resistance:	≥5000MΩ

2 Environmental&Mechanical

2.1 Temperature range	-40℃~+70℃
2.2 RoHs Compliant	
2.3 Durability	>500 cycles



3 Materials&plating

3.1 Body:	Brass; gold-plated
3.2 Insulator:	Teflon
3.3 Contact Pin:	Beryllium-copper, gold plated



Notes:

- 1.ALL SPECIFICATIONS ARE SUBJECT TO CHANGE NOTICE AT ANY TIME
- 2.CUSTOMER OUTLINE DRAWING FOR REFERENCE ONLY

DRAWN: T.Haiyun 17/06/16	TITLE:	 www.terulla.com
ENGINEER: C.Tao 17/06/16	SMA-KFD1006	
APPROVED: W.Qiang 17/06/16	SMA Female Flange Conn. for Terminal	
TOLERANCES UNLESS OTHERWISE SPECIFIED .X ±0.50 .X ±0.20 .XX ±0.10 ANGLES ±1°		 DIMENSION IN MILLIMETERS (mm)
PART NO: TRL-SMAF-468939	SIZE: A4	SCALE: N/A
	SHEET: 1/1	REV: A