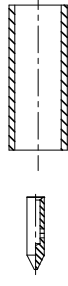
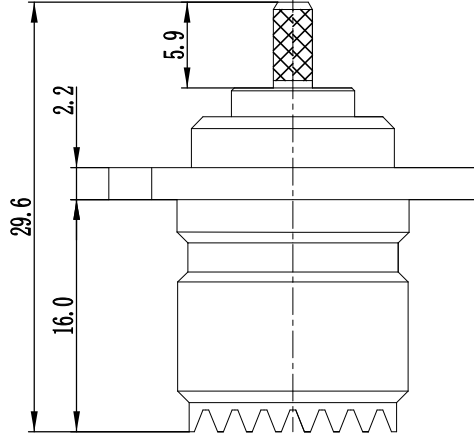
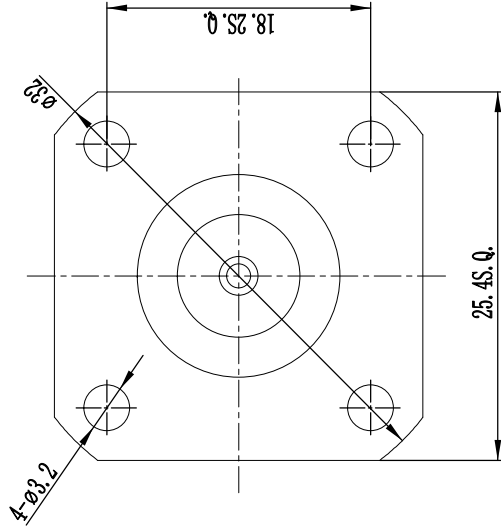


This document contains proprietary information and such information may not be disclosed to others for any purposes, not used for sales/marketing/promotion purposes without written permission



1 Electrical

- 1.1 Frequency: DC-300MHz
- 1.2 Impedance: 50 Ω
- 1.3 Working voltage: ≤750V
- 1.4 Insulation resistance: ≥5000MΩ
- 1.5 Dielectric withstanding voltage: 2000V
- 1.6 Center contact resistance ≤ 5MΩ
- 1.7 Outer contact resistance ≤ 5MΩ

2 Material&Finish

- 2.1 Inner Contact: Phosphor bronze, gold plated
- 2.2 Outer Contact: Brass, nickel plated
- 2.3 Insulators: Teflon

3 Cable code: RG174/U

Notes:

- 1. ALL SPECIFICATIONS ARE SUBJECT TO CHANGE NOTICE AT ANY TIME
- 2. CUSTOMER OUTLINE DRAWING FOR REFERENCE ONLY

| REV | DESCRIPTION OF REVISION | ECN NO. | BY | DATE | APPROVED |
|-----|-------------------------|---------|-----------|----------|----------|
| A | Initial Release | | T. Shihua | 17/02/14 | 17/02/14 |

| | | | | | |
|-----------------------------|---------------------------------------|--|-----------------------------------------------|--|-------------------------------|
| DRAWN: T. Shihua 17/02/14 | TITLE: | | RF Coaxial Connector | | www.rf-connector-china.com |
| ENGINEER: C. Tao 17/02/14 | RF Coaxial Connector | | UHF Female Flange Conn. For RG316 Cable Crimp | | |
| APPROVED: W. Qiang 17/02/14 | TOLERANCES UNLESS OTHERWISE SPECIFIED | | X ±0.50 | | DIMENSION IN MILLIMETERS (mm) |
| | .X ±0.20 | | .XX ±0.10 | | |
| | ANGLES ±1° | | SCALE: N/A | | SHEET: 1/1 |
| | PART NO: UHF-KF3Y | | SIZE: A4 | | |