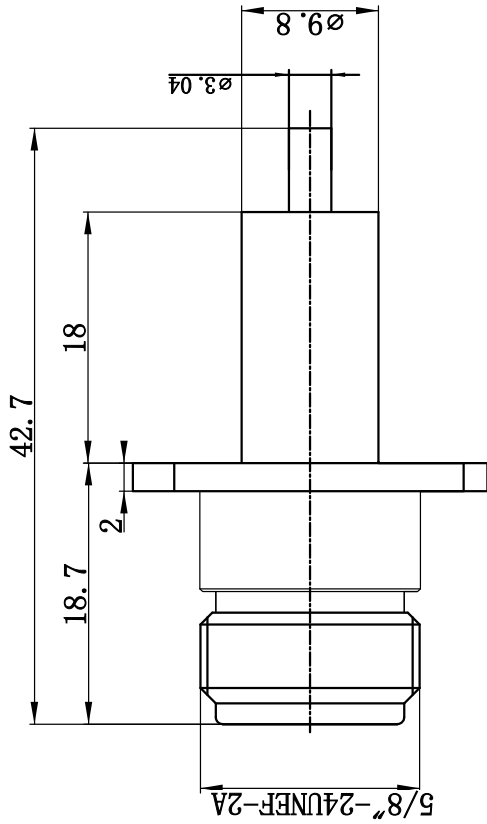
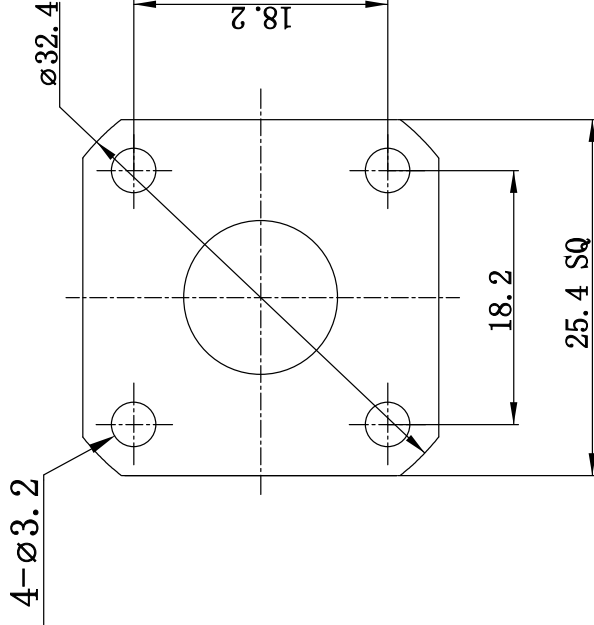


This document contains proprietary information and such information may not be disclosed to others for any purposes, not used for sales/marketing/procurement purposes without written permission



- 1 Electrical
 - 1.1 Impedance 50 Ω
 - 1.2 Frequency DC-11GHz
 - 1.7 VSWR 1.30: 1
- 2 Environmental&Mechanical
 - 2.1 Temperature range -40°C~+125°C
 - 2.2 RoHs Compliant
 - 2.3 Durability >500 cycles
- 3 Material&plating
 - 3.1 Body: Brass, Nickel plated
 - 3.2 Insulator: Teflon
 - 3.3 Contact Pin: Bronze, Gold plated



REV	DESCRIPTION OF REVISION	TEL NO.	BY	DATE	APPROVED
A	Initial Release		T. Shihua	24/12/15	24/12/15

Notes:

- 1. ALL SPECIFICATIONS ARE SUBJECT TO CHANGE NOTICE AT ANY TIME
- 2. CUSTOMER OUTLINE DRAWING FOR REFERENCE ONLY

DRAW : T. Shihua 24/12/15		TITLE:	
ENGINEER: C. Tao 24/12/15	RF Coaxial Connector	www.tbrnll.com	
APPROVED : W. Qiang 24/12/15	N Female Flange Conn. for Terminal	DIMENSION IN MILLIMETERS (mm)	
TOLERANCES UNLESS OTHERWISE SPECIFIED			
.X ±0.50		SIZE: A4	SCALE: 1:1
.X ±0.20		SHEET: 1/1	REV: A
.XX ±0.10			
ANGLES ±1°			