

This document contains proprietary information and such information may not be disclosed to others for any purposes, not used for sales/marketing/procurement purposes without written permission

REV	DESCRIPTION OF REVISION	ECN NO.	BY	DATE	APPROVED
A	Initial Release		T.Shihua	07/09/13	07/09/13

1 Electrical

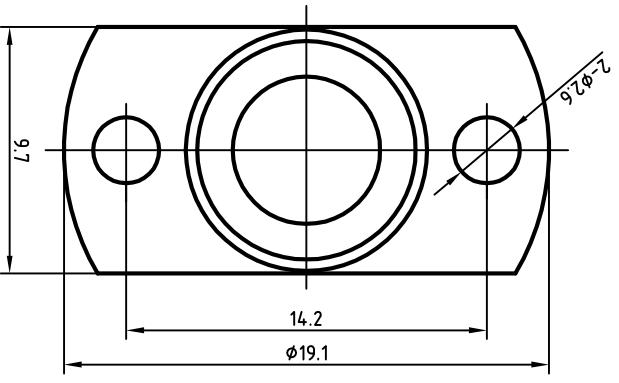
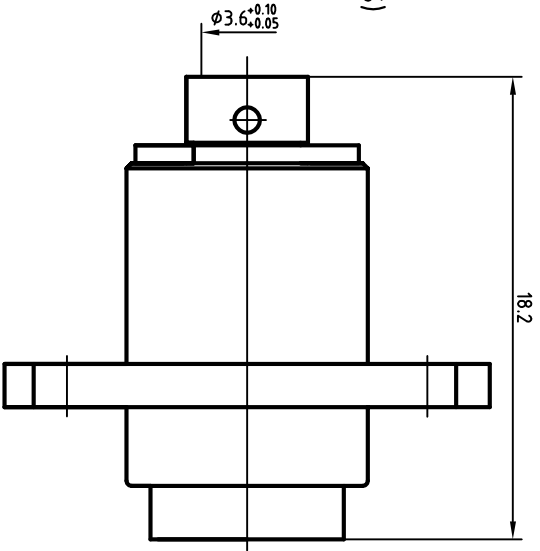
- 1.1 Impedence 50Ω
- 1.2 Frequency range: DC-18GHz
- 1.3 Working voltage: ≤250V
- 1.4 Dielectric withstanding voltage 750V(volts RMS)
- 1.5 Insulation resistance: ≥5000MΩ
- 1.6 Center contact resistance ≤3MΩ
- 1.7 Outer contact resistance ≤2MΩ

2 Environmental&Mechanical

- 2.1 Temperature range -40℃~85℃
- 2.2 RoHs Compliant
- 2.3 Durability 500 mating cycles

3 Materials&Finish

- 3.1 Body: Brass, gold plated
- 3.2 Insulator: Teflon
- 3.3 Contact Pin: Brass, Gold plated
- 3.4 Hex nut: Brass, gold plated
- 3.5 Gasket: Silicon Rubber
- 3.6 Washer: Phosphor bronze, gold plated



Notes:

- 1. ALL SPECIFICATIONS ARE SUBJECT TO CHANGE NOTICE AT ANY TIME
- 2. CUSTOMER OUTLINE DRAWING FOR REFERENCE ONLY

DRAWN:	T.Shihua 07/09/13
ENGINEER:	C.Too 07/09/13
APPROVED:	W.Qiang 07/09/13
TOLERANCES UNLESS OTHERWISE SPECIFIED	
X	±0.30
.X	±0.20
.XX	±0.10
ANGLES	5°

TITLE:	RF Coaxial Connector
PART NO:	BMA-KFB3
BMA Female Flange Conn. For .141 cable	

Xi'an Reach-Line Technology Co., Ltd.	
SIZE:	A4
SCALE:	N/A
SHEET:	1/1
REV:	A



DIMENSION IN MILLIMETERS (mm)